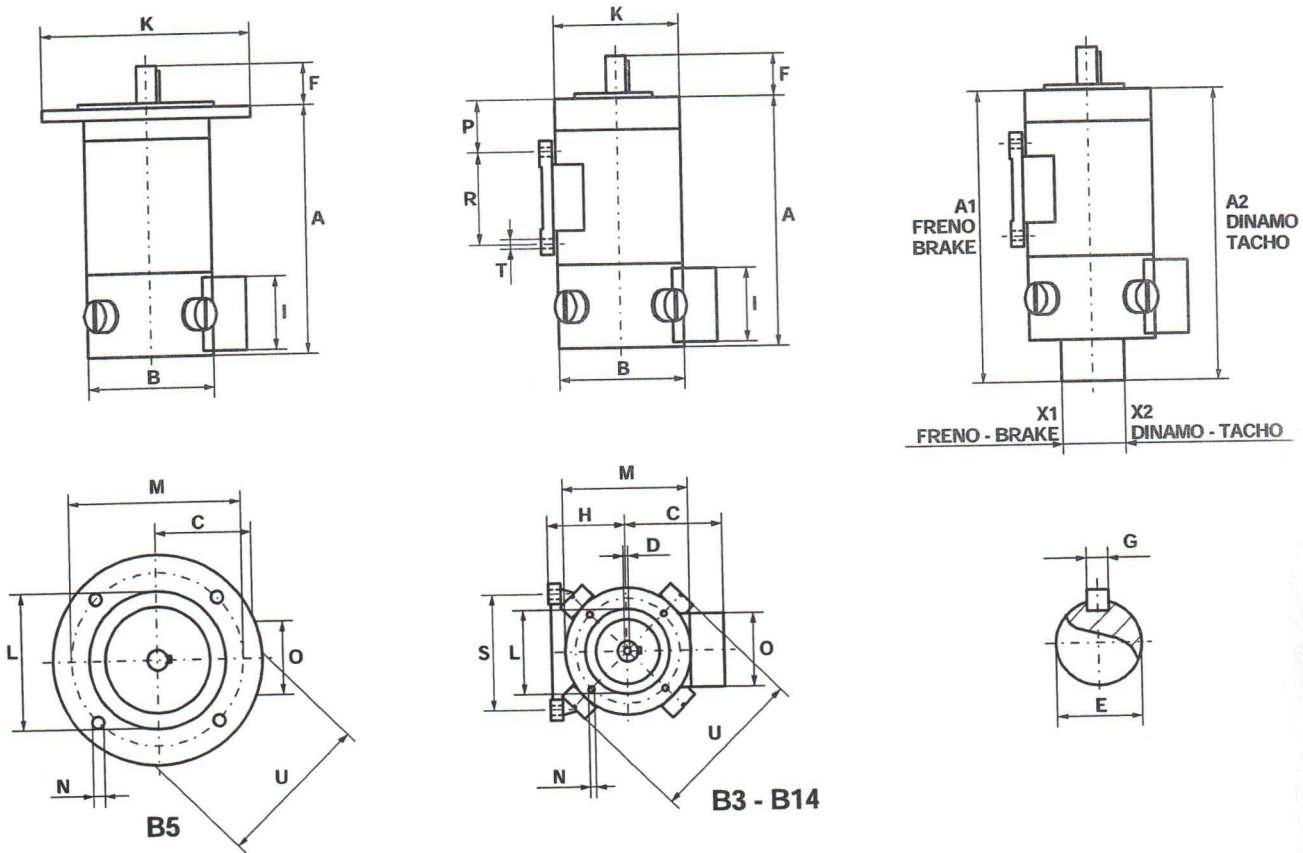


MPQ



MPQ	INGOMBRO DIMENSIONS										ALBERO SHAFT			FLANGIA B5 FLANGE B5				FLANGIA B14 FLANGE B14				B3					PESO WEIGHT KG	
	A	B	C	I	O	U	A1	X1	A2	X2	E	F	G	K	L	M	N	K	L	M	N	D	H	P	R	S		T
102	204	120	92	71	71	150	261	105	284	65	14	30	5	160	110	130	9	105	70	85	M6	M5	77	38	90	112	9	8
103	240	120	92	71	71	150	297	105	320	65	19	40	6	200	130	165	11	120	80	100	M6	M6	77	56	90	112	9	10
104	276	120	92	71	71	150	333	105	356	65	19	40	6	200	130	165	11	120	80	100	M6	M6	77	74	90	112	9	12
105	312	120	92	71	71	150	369	105	392	65	19	40	6	200	130	165	11	120	80	100	M6	M6	77	92	90	112	9	14

MPQ	V	1500rpm		2000rpm		2400rpm		3000rpm		COPPIA TORQUE	CTT
		W	A	W	A	W	A	W	A		
102	12	300	32	400	44	480	51.2	600	64	Nm 1.96	Min' 60
	24	300	16	400	22	480	25.6	600	32		
103	12	450	48	600	64	720	76.8	900	96	Nm 2.94	Min' 60
	24	450	24	600	32	720	38.4	900	48		
104	12	600	66	800	86	960	106			Nm 3.92	Min' 60
	24	600	33	800	43	960	53	1200	66		
105	12	750	82	1000	110					Nm 4.90	Min' 60
	24	750	41	1000	55	1200	66	1500	82		
	48	750	20.5	1000	27.5	1200	33	1500	41		