

# MOTOR



**K.A.G.**  
Alles außer Stillstand.

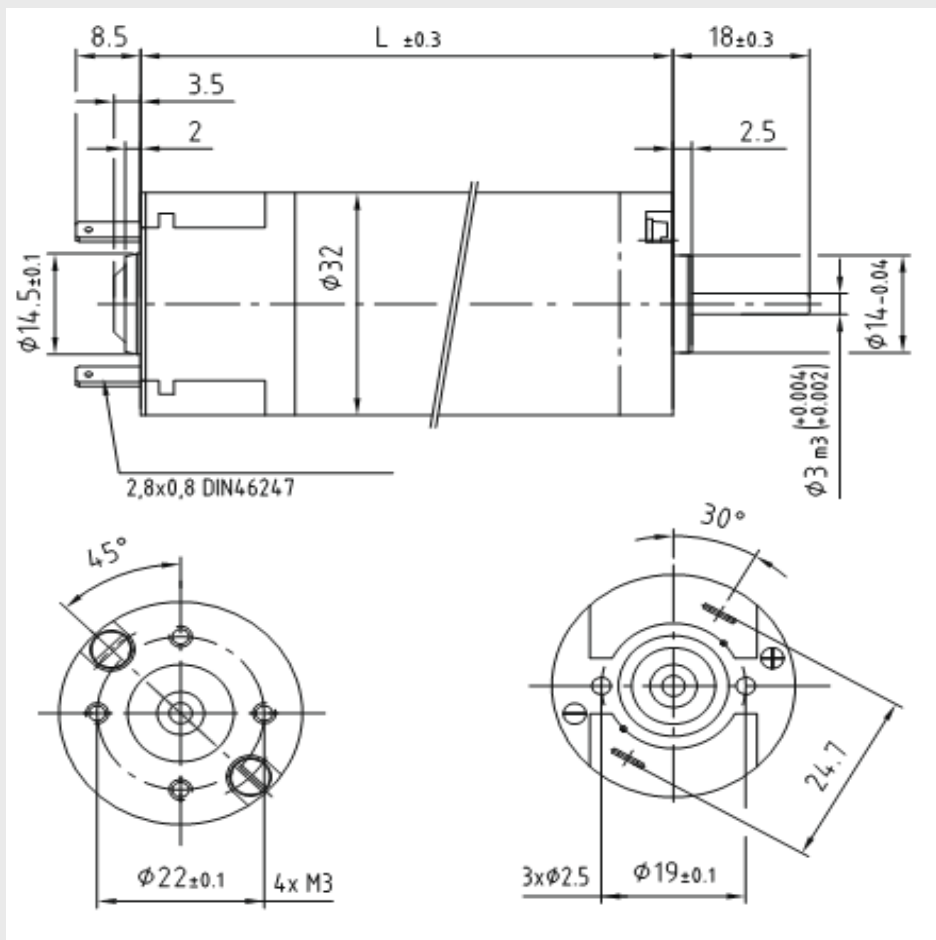
## DC-motor, M32x30/I

- Permanent magnet motor
- Graphit-copper brushes
- Ball bearings
- Motor housing zinc plated

### Technical data:

Voltage:	12 / 24 VDC
Output power:	8,0 / 9,0 W
Rated torque:	2,5 Ncm
Motor speed:	3000 / 3300 rpm
Current:	1,25 / 0,60 A
Torque constant:	2,88 / 5,97 Ncm / A
Rotor inertia:	38 gcm <sup>2</sup>
Weight:	0,23 kg
Length:	76 mm
Axial load:	12 N
Radial load:	80 N

### Dimensions:



### Order information:

Please contact us for more information and article number.