

Product description
Pump
AIRMATIC

DESCRIPTION

A pneumatic pump is designed, depending on the version, to feed oil to resistance (SLR) or volumetric lubrication system (PDI).

OPERATION

The airmatic is a single action pump piloted by a 3/2 way solenoid. The oil discharged is released by introducing compressed air into the pump. Oil is sucked into the reservoir as the compressed air in the circuit decompresses with the help of a return spring. For use with volumetric injectors, the pump is equipped with a decompression block which allows the remainings of the injectors whilst the air circuit is decompressing.

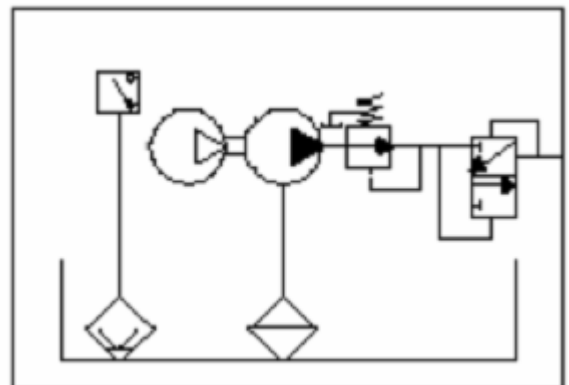
Note : Use dry, filtered, lubricated air

CHARACTERISTICS

Discharge :	2 to 10 ccm / Stroke.
Air inlet pressure :	9 Bars max.
Air pressure range :	4 : 1.
Oil pressure :	36 Bars max.
Reservoir capacities :	1 or 4 liters (plastic). 12 liters (steel).
Suction filter :	120 microns.
Electric low level switch :	240 V max.
Power rating :	0.5 A max.
Cycle frequency :	Up to 30 cycles per mn.
Working temperature :	From 5 to 50°C max.
Lubricant to be used :	Mineral oil viscosity from 30 to 1800 Cst at the working temperature.
Other lubricant :	Contact Bijur Delimon.



Principal scheme



HOW TO ORDER

Precise designation and reference using the code below :

Pump code

AIR

Reservoir capacity

- 1 litre
- 4 litres
- 12 litres

Distribution system

- Resistance
- Volumetric
- Injection

Option

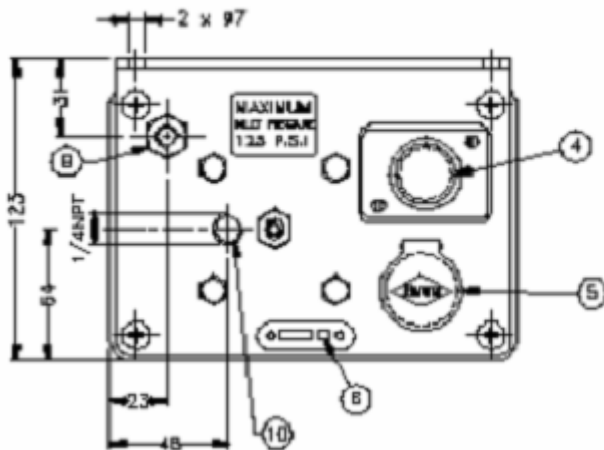
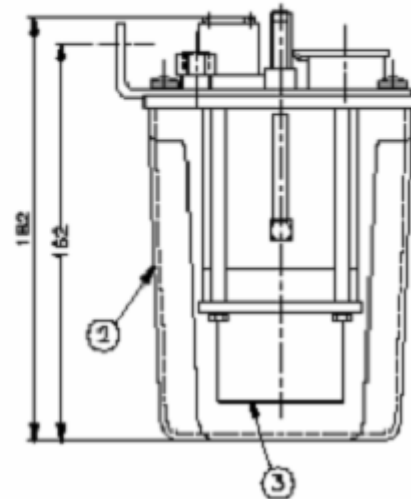
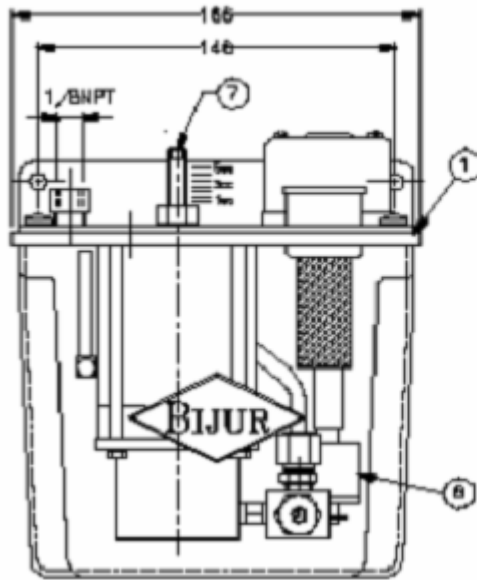
- Low level switch (standard)
- Low level switch and snap on refill connector automotive version

Example :

Airmatic pump with 4 litres reservoir and low level switch for volumetric system,
Reference : **AIR4BBA**.



PUMP AIRMATIC WITH ONE LITRE RESERVOIR



LEGEND

Item	Description	Quantity
1	Reservoir gasket	1
2	Plastic reservoir	1
3	Filter element	1
4	Electrical connection	1
5	Filling plug	1
6	Identification label	1
7	Discharge adjustment screw	1
8	Electrical low level switch	1
9	Oil outlet	1
10	Air inlet	1



SERVICE INSTRUCTIONS FOR AIRMATIC PUMP 1L RESERVOIR

Start up :

Fill the reservoir and connect the air supply. Prime the pump to assure that the system pressurised. Then, follow instructions on the technical data sheet supplied with the unit.

Oil :

Use only clean mineral oil of a quality and viscosity as recommended by the manufacturer of the machine. The oil characteristics must allow filtering down to 25 microns without it separating.

Service :

Control periodically the lubrication lines to make sure none are broken or crushed and that they are in good condition. Ensure all fittings are correctly tightened. Any excess oil around the machine should be investigated immediately.

Important :

Before start up and after any repair the lubrication circuit must be purged of air.

Spare parts :

Maintenance kit for pump AIRMATIC 1L.
Example : Reference A0283 (see table on following page).

For all repair, it is recommended that the pump be returned to Bijur Delimon.



MAINTENANCE KIT 1L AIRMATIC PUMP

RESERVOIR MAINTENANCE KIT		
Reference	Description	Quantity
A0283	Reservoir gasket	1
	Filter element	1
	Reservoir screw	4
	Lockwasher	4
	Filling filter	1
	Plastic reservoir	1
	O ring for filling filter	1

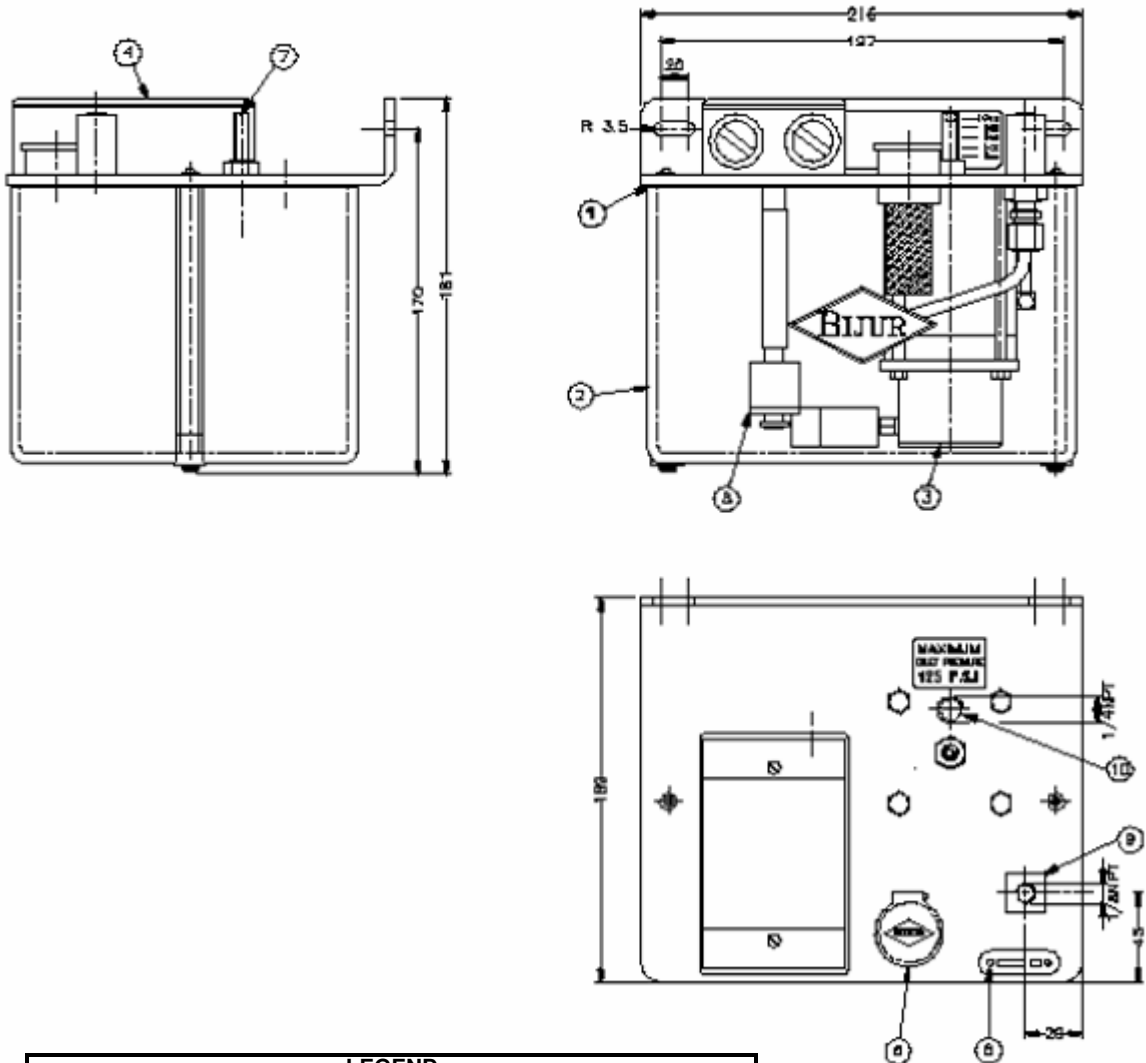
RESERVOIR AND PUMP MAINTENANCE KIT FOR RESISTANCE PUMP		
Reference	Description	Quantity
A0290	Reservoir maintenance kit	1
	Check valve	1
	Adaptor	1
	Viton seal	1
	O ring seal	1
	Cup seal	1
	Gasket	1

RESERVOIR AND PUMP MAINTENANCE KIT FOR VOLUMETRICAL PUMP		
Reference	Description	Quantity
A0291	Reservoir maintenance kit	1
	Control unit CTN5	1
	Check valve	1
	Viton seal	1
	O ring seal	1
	Cup seal	1
	Gasket	1

RESERVOIR AND PUMP MAINTENANCE KIT FOR INJECTION PUMP		
Reference	Description	Quantity
A0292	Reservoir maintenance kit	1
	Check valve	1
	Straight connector	1
	Viton seal	1
	O ring seal	1
	Cup seal	1
	Gasket	1



PUMP AIRMATIC WITH 4 LITRES RESERVOIR



LEGEND		
Item	Description	Quantity
1	Reservoir gasket	1
2	Plastic reservoir	1
3	Filter element	1
4	Electrical connection	1
5	Filling plug	1
6	Identification label	1
7	Discharge adjustment screw	1
8	Electrical low level switch	1
9	Oil outlet	1
10	Air inlet	1



SERVICE INSTRUCTIONS FOR AIRMATIC PUMP 4L RESERVOIR

Start up :

Fill the reservoir and connect the air supply. Prime the pump to assure that the system is pressurised. Then, follow instructions on the technical data sheet supplied with the unit.

Oil :

Use only clean mineral oil of a quality and viscosity as recommended by the manufacturer of the machine. The oil characteristics must allow filtering down to 25 microns without it separating.

Service :

Control periodically the lubrication lines to make sure none are broken or crushed and that they are in good condition. Ensure all fittings are correctly tightened. Any excess oil around the machine should be investigated immediately.

Important :

Before start up and after any repair the lubrication circuit must be purged of air.

Spare parts :

Maintenance kit for pump AIRMATIC 4L.
Example : Reference A0284 (see table on following page).

For all repair, it is recommended that the pump be returned to Bijur Delimon.



MAINTENANCE KIT 4L AIRMATIC PUMP

RESERVOIR MAINTENANCE KIT		
Reference	Description	Quantity
A0284	Reservoir gasket	1
	Filter element	1
	Reservoir screw	1
	Guide bar	2
	Lockwasher	2
	Filling filter	4
	Plastic reservoir	1
	O ring for filling filter	1

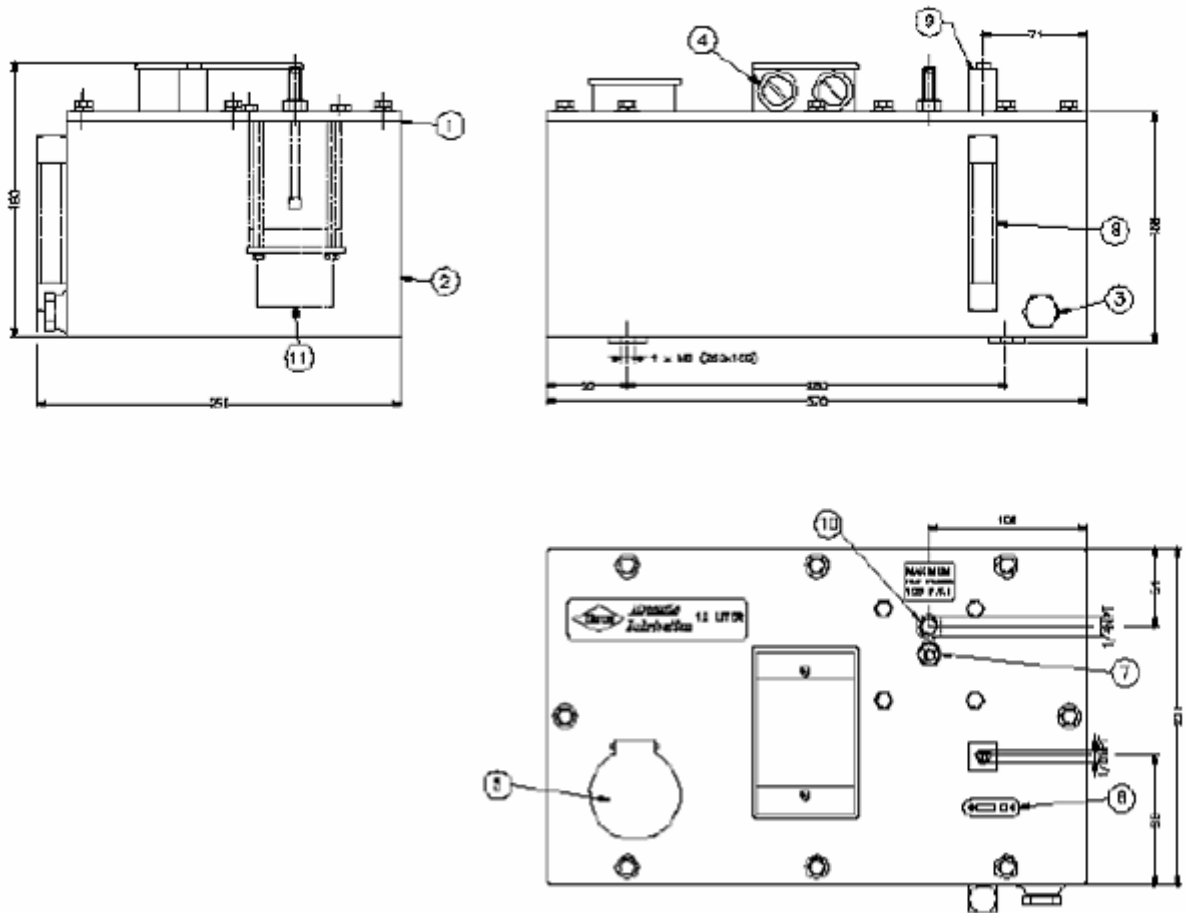
RESERVOIR AND PUMP MAINTENANCE KIT FOR RESISTANCE PUMP		
Reference	Description	Quantity
A0294	Reservoir maintenance kit	1
	Check valve	1
	Adaptor	1
	Viton seal	1
	O ring seal	1
	Cup seal	1
	Gasket	1

RESERVOIR AND PUMP MAINTENANCE KIT FOR VOLUMETRICAL PUMP		
Reference	Description	Quantity
A0295	Reservoir maintenance kit	1
	Control unit CTN5	1
	Check valve	1
	Viton seal	1
	O ring seal	1
	Cup seal	1
	Gasket	1

RESERVOIR AND PUMP MAINTENANCE KIT FOR INJECTION PUMP		
Reference	Description	Quantity
A0296	Reservoir maintenance kit	1
	Check valve	1
	Straight connector	1
	Viton seal	1
	O ring seal	1
	Cup seal	1
	Gasket	1



PUMP AIRMATIC WITH 12 LITRES RESERVOIR



LEGEND

Item	Description	Quantity
1	Reservoir gasket	1
2	Plastic reservoir 4L	1
3	Oil sump plug	1
4	Electrical connection	1
5	Filling plug	1
6	Identification label	1
7	Discharge adjustment screw	1
8	Sight glass	1
9	Oil outlet	1
10	Air inlet	1
11	Filter element	1



SERVICE INSTRUCTIONS FOR AIRMATIC PUMP 12L RESERVOIR

Start up :

Fill the reservoir and connect the air supply. Prime the pump to assure that the system is pressurised. Then, follow instructions on the technical data sheet supplied with the unit.

Oil :

Use only clean mineral oil of a quality and viscosity as recommended by the manufacturer of the machine. The oil characteristics must allow filtering down to 25 microns without it separating.

Service :

Control periodically the lubrication lines to make sure none are broken or crushed and that they are in good condition. Ensure all fittings are correctly tightened. Any excess oil around the machine should be investigated immediately.

Important :

Before start up and after any repair the lubrication circuit must be purged of air.

Spare parts :

Maintenance kit for pump AIRMATIC 12L.
Example : Reference A0285 (see table on following page).

For all repair, it is recommended that the pump be returned to Bijur Delimon.



MAINTENANCE FOR RESERVOIR KIT 12L

RESERVOIR MAINTENANCE KIT		
Reference	Description	Quantity
A0285	Reservoir gasket	1
	Filter element	1
	Reservoir screw	8
	Lockwasher	8
	Filling filter	1
	Seal for oil sump plug	1
	Sight glass	1

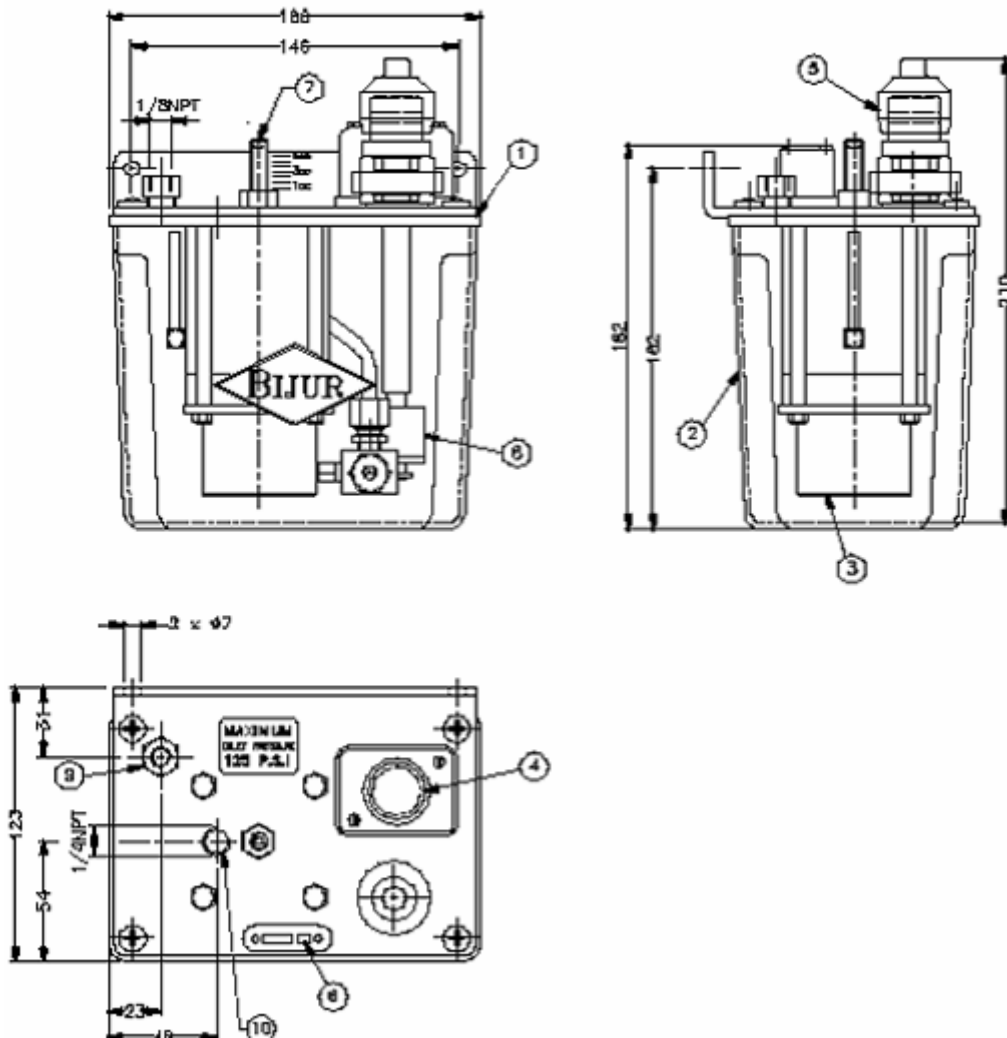
RESERVOIR AND PUMP MAINTENANCE KIT FOR RESISTANCE PUMP		
Reference	Description	Quantity
A0297	Reservoir maintenance kit	1
	Check valve	1
	Adaptor	1
	Viton seal	1
	O ring seal	1
	Cup seal	1
	Gasket	1

RESERVOIR AND PUMP MAINTENANCE KIT FOR VOLUMETRICAL PUMP		
Reference	Description	Quantity
A0298	Reservoir maintenance kit	1
	Control unit CTN5	1
	Check valve	1
	Viton seal	1
	O ring seal	1
	Cup seal	1
	Gasket	1

RESERVOIR AND PUMP MAINTENANCE KIT FOR INJECTION PUMP		
Reference	Description	Quantity
A0299	Reservoir maintenance kit	1
	Check valve	1
	Straight connector	1
	Viton seal	1
	O ring seal	1
	Cup seal	1
	Gasket	1



PUMP WITH 1L RESERVOIR, SPECIAL AUTOMOTIVE VERSION



LEGEND

Item	Description	Quantity
1	Reservoir gasket	1
2	Plastic reservoir 1L	1
3	Filter element	1
4	Electrical connection	1
5	Snap on connector	1
6	Identification label	1
7	Discharge adjustment screw	1
8	Electrical low level switch	1
9	Oil outlet	1
10	Air inlet	1



SERVICE INSTRUCTIONS FOR PUMP WITH 1L RESERVOIR SPECIAL AUTOMOTIVE VERSION

Start up :

Fill the reservoir and connect the air supply. Prime the pump to assure that the system pressurised. Then, follow instructions on the technical data sheet supplied with the unit.

Oil :

Use only clean mineral oil of a quality and viscosity as recommended by the manufacturer of the machine. The oil characteristics must allow filtering down to 25 microns without it separating.

Service :

Control periodically the lubrication lines to make sure none are broken or crushed and that they are in good condition. Ensure all fittings are correctly tightened. Any excess oil around the machine should be investigated immediately.

Important :

Before start up and after any repair the lubrication circuit must be purged of air.

Spare parts :

Maintenance kit for pump AIRMATIC 1L special automotive version.
Example : Reference A0300 (see table on following page).

For all repair, it is recommended that the pump be returned to Bijur Delimon.



MAINTENANCE FOR RESERVOIR 1L SPECIAL AUTOMOTIVE VERSION

RESERVOIR MAINTENANCE KIT		
Reference	Description	Quantity
A0300	Reservoir gasket	1
	Filter element	1
	Reservoir screw	4
	Lockwasher	4
	Filling filter	1

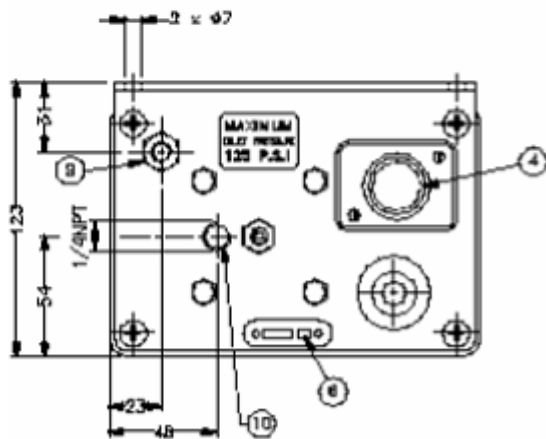
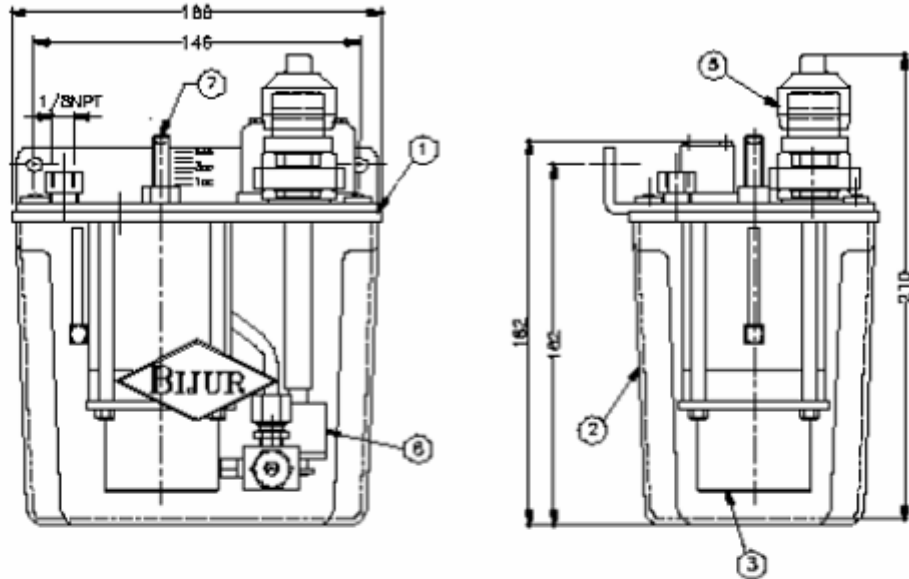
RESERVOIR AND PUMP MAINTENANCE KIT FOR RESISTANCE PUMP		
Reference	Description	Quantity
A0303	Reservoir maintenance kit	1
	Check valve	1
	Adaptor	1
	Viton seal	1
	O ring seal	1
	Cup seal	1
	Gasket	1

RESERVOIR AND PUMP MAINTENANCE KIT FOR VOLUMETRICAL PUMP		
Reference	Description	Quantity
A0304	Reservoir maintenance kit	1
	Control unit CTN5	1
	Check valve	1
	Viton seal	1
	O ring seal	1
	Cup seal	1
	Gasket	1

RESERVOIR AND PUMP MAINTENANCE KIT FOR INJECTION PUMP		
Reference	Description	Quantity
A0305	Reservoir maintenance kit	1
	Check valve	1
	Straight connector	1
	Viton seal	1
	O ring seal	1
	Cup seal	1
	Gasket	1



PUMP WITH 4L RESERVOIR, SPECIAL AUTOMOTIVE VERSION



LEGEND

Item	Description	Quantity
1	Reservoir gasket	1
2	Plastic reservoir 1L	1
3	Filter element	1
4	Electrical connection	1
5	Snap on connector	1
6	Identification label	1
7	Discharge adjustment screw	1
8	Electrical low level switch	1
9	Oil outlet	1
10	Air inlet	1



SERVICE INSTRUCTIONS FOR PUMP WITH 4L RESERVOIR SPECIAL AUTOMOTIVE VERSION

Start up :

Fill the reservoir and connect the air supply. Prime the pump to assure that the system pressurised. Then, follow instructions on the technical data sheet supplied with the unit.

Oil :

Use only clean mineral oil of a quality and viscosity as recommended by the manufacturer of the machine. The oil characteristics must allow filtering down to 25 microns without it separating.

Service :

Control periodically the lubrication lines to make sure none are broken or crushed and that they are in good condition. Ensure all fittings are correctly tightened. Any excess oil around the machine should be investigated immediately.

Important :

Before start up and after any repair the lubrication circuit must be purged of air.

Spare parts :

Maintenance kit for pump AIRMATIC 4L special automotive version.
Example : Reference A0 284 (see table on following page).

For all repair, it is recommended that the pump be returned to Bijur Delimon.



MAINTENANCE FOR RESERVOIR 4L SPECIAL AUTOMOTIVE VERSION

RESERVOIR MAINTENANCE KIT		
Reference	Description	Quantity
A0300	Reservoir gasket	1
	Filter element	1
	Reservoir screw	2
	Guide bar	2
	Lockwasher	4
	Filling filter	1
	Plastic reservoir	1
	O ring for filling filter	1

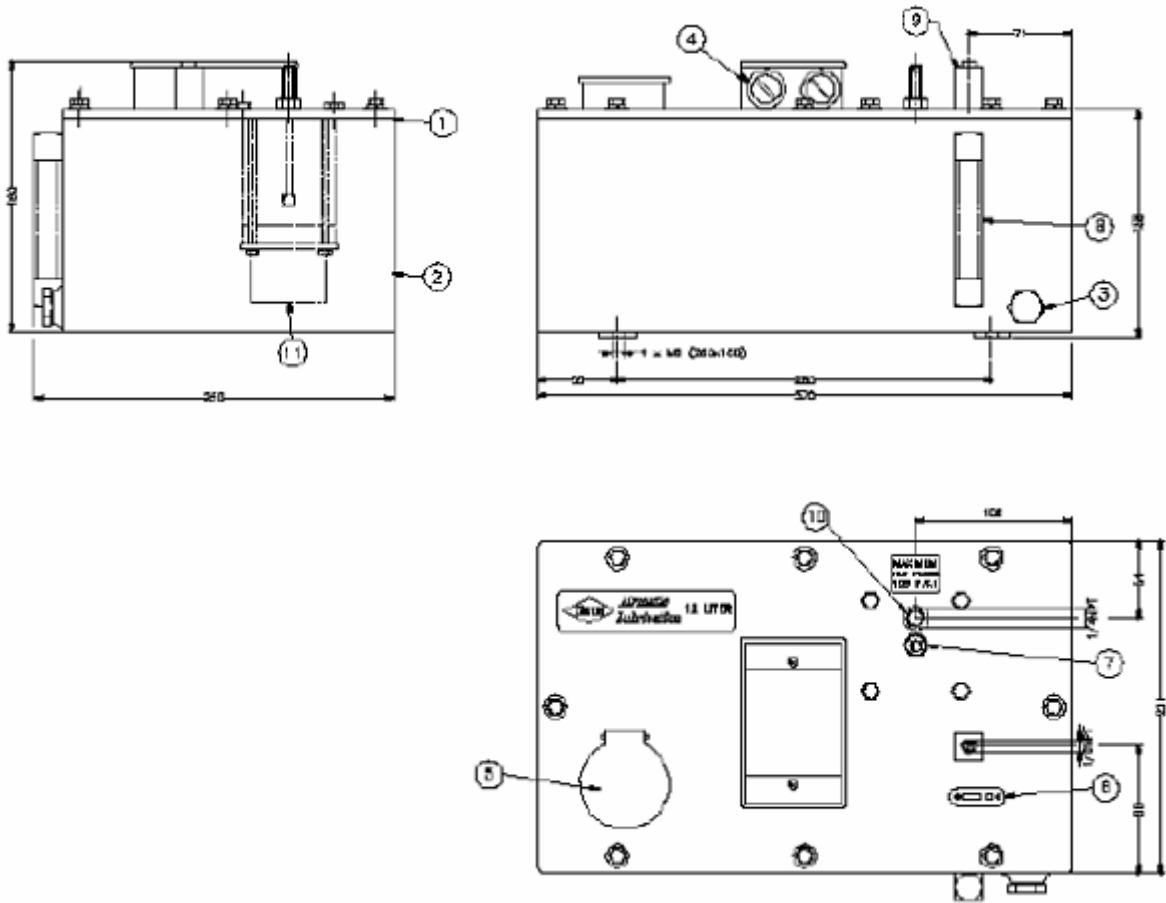
RESERVOIR AND PUMP MAINTENANCE KIT FOR RESISTANCE PUMP		
Reference	Description	Quantity
A0303	Reservoir maintenance kit	1
	Check valve	1
	Adaptor	1
	Viton seal	1
	O ring seal	1
	Cup seal	1
	Gasket	1

RESERVOIR AND PUMP MAINTENANCE KIT FOR VOLUMETRICAL PUMP		
Reference	Description	Quantity
A0304	Reservoir maintenance kit	1
	Control unit CTN5	1
	Check valve	1
	Viton seal	1
	O ring seal	1
	Cup seal	1
	Gasket	1

RESERVOIR AND PUMP MAINTENANCE KIT FOR INJECTION PUMP		
Reference	Description	Quantity
A0305	Reservoir maintenance kit	1
	Check valve	1
	Straight connector	1
	Viton seal	1
	O ring seal	1
	Cup seal	1
	Gasket	1



PUMP WITH 12L RESERVOIR, SPECIAL AUTOMOTIVE VERSION



LEGEND

Item	Description	Quantity
1	Reservoir gasket	1
2	Plastic reservoir 4L	1
3	Oil sump plug	1
4	Electrical connection	1
5	Filling plug	1
6	Identification label	1
7	Discharge adjustment screw	1
8	Sight glass	1
9	Oil outlet	1
10	Air inlet	1
11	Filter element	1



SERVICE INSTRUCTIONS FOR PUMP WITH 12L RESERVOIR SPECIAL AUTOMOTIVE VERSION

Start up :

Fill the reservoir and connect the air supply. Prime the pump to assure that the system pressurised. Then, follow instructions on the technical data sheet supplied with the unit.

Oil :

Use only clean mineral oil of a quality and viscosity as recommended by the manufacturer of the machine. The oil characteristics must allow filtering down to 25 microns without it separating.

Service :

Control periodically the lubrication lines to make sure none are broken or crushed and that they are in good condition. Ensure all fittings are correctly tightened. Any excess oil around the machine should be investigated immediately.

Important :

Before start up and after any repair the lubrication circuit must be purged of air.

Spare parts :

Maintenance kit for pump AIRMATIC 12L special automotive version.
Example : Reference A0 285 (see table on following page).

For all repair, it is recommended that the pump be returned to Bijur Delimon.



MAINTENANCE FOR RESERVOIR 12L SPECIAL AUTOMOTIVE VERSION

RESERVOIR MAINTENANCE KIT		
Reference	Description	Quantity
A0285	Reservoir gasket	1
	Filter element	1
	Reservoir screw	8
	Lockwasher	8
	Filling filter	1
	Seal for oil slump plug	1
	Sight glass	1

RESERVOIR AND PUMP MAINTENANCE KIT FOR RESISTANCE PUMP		
Reference	Description	Quantity
A0297	Reservoir maintenance kit	1
	Check valve	1
	Adaptor	1
	Viton seal	1
	O ring seal	1
	Cup seal	1
	Gasket	1

RESERVOIR AND PUMP MAINTENANCE KIT FOR VOLUMETRICAL PUMP		
Reference	Description	Quantity
A0298	Reservoir maintenance kit	1
	Control unit CTN5	1
	Check valve	1
	Viton seal	1
	O ring seal	1
	Cup seal	1
	Gasket	1

RESERVOIR AND PUMP MAINTENANCE KIT FOR INJECTION PUMP		
Reference	Description	Quantity
A0299	Reservoir maintenance kit	1
	Check valve	1
	Straight connector	1
	Viton seal	1
	O ring seal	1
	Cup seal	1
	Gasket	1



Bijur Delimon

Germany

Arminstraße 15
D-40227 Düsseldorf
Postfach 10 20 52
D-40011 Düsseldorf
Tel: (49) 211 7774 0
Fax : (49) 211 7774 210
info@delimon.de
www.bijurdelimon.com

&

Bijur Delimon

Niederlassung Beierfeld
Am Bockwald 4
D-08344 Grünhain-Beierfeld
Tel : (49) 377 475 65 11 0
Fax : +(49) 377 746511 0

Bijur Delimon

Austria

Am Spitz 2-3 / Schloßhofer Str. 4-6
Stiege 4, Top 20
A-1210 Vienna
Tel : (43) 1 585 66 17
Fax : (43) 1 585 66 17 50
info@delimon.at
www.delimon.at
www.bijurdelimon.com

Bijur Delimon

Spain

Avda. Txori-Erri 38
48150 Sondica - (Vizcaya)
Tel : (34) 94 453 20 00
Fax : (34) 94 453 25 00
www.bijurdelimon.com

Bijur Delimon

United Kingdom

Ramsden Court, Ramsden Road
Rotherwas Industrial Estate
Hereford
HR2 6LR
Tel : +44 (0) 1432 365 000
Fax : +44 (0) 1432 365 001
info@delimon.co.uk
www.bijurdelimon.com

Bijur Delimon

USA

2100 Gateway center
Blvd suite 109
Morrisville NC 27560
Tel : +1 919 465 44 48
Fax : +1 1 919 465 0516
www.bijurdelimon.com

Bijur Delimon

France

BP 50
ZI de Courtabœuf
5, Avenue de l'Atlantique
91942 Courtaboeuf Cedex
Tel : (33)1 692 985 85
Fax : (33) 1 690 776 27
contact@bijurdelimon.com
www.bijurdelimon.com

Bijur Delimon

No B-5 & 6, A Block, SNS Arcade,
Airport Road (HAL),BANGALORE
India
560010
Tel : (91 0)80 2522 1541 / 3959 / 652
mksantosh@bijurdelimon.in
www.bijurdelimon.com

Bijur Delimon

Ireland

Gort Road
Ennis, county Clare
Ireland
Tel : 353 65 682 1543
Fax : 353 65 682 0327
www.bijurdelimon.com

Bijur Delimon

China

9 Heng Tong Road
Nanjing Economical
And Technical
Development zone
2100038
Nanjing
Tel : +86 258 580 1188
Fax : +86 85802277
www.bijurdelimon.com

