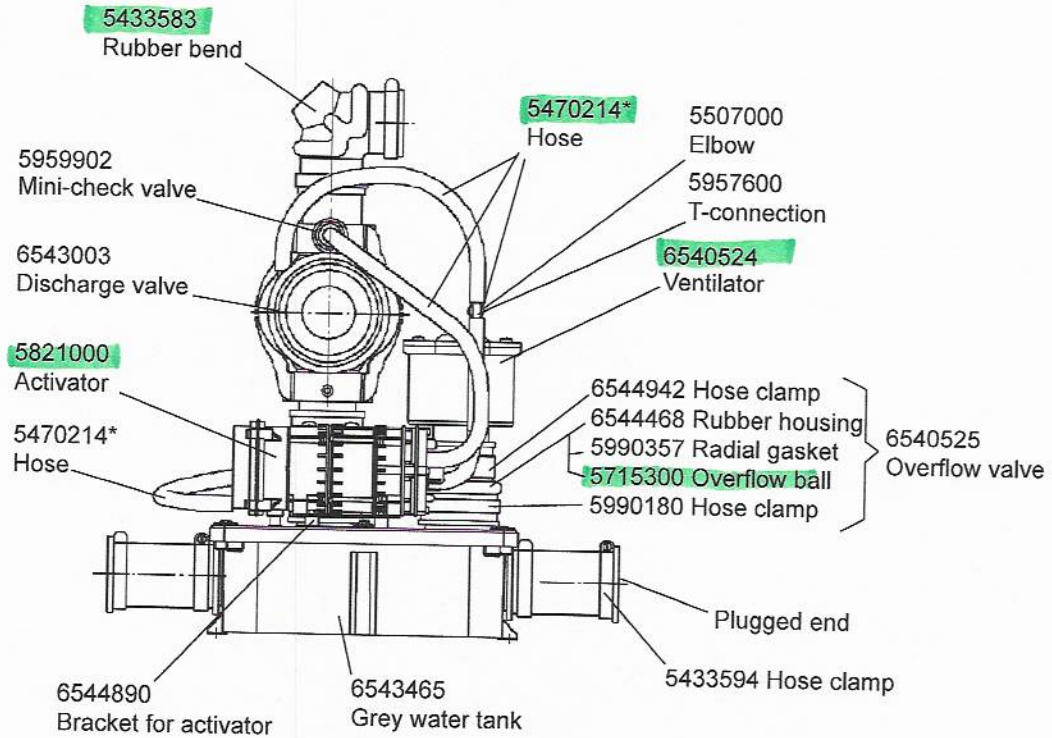


VACUUM INTERFACE VALVE

6543469 VACUUM INTERFACE UNIT 2 L, CONNECTION DOWNWARDS / SIDEWARDS



* All the hoses with Evac part number (P/N 5470214) are available in meters so please inform the length, when ordering.

VACUUM TOILET

- 6542544 EVACINSHINE TOILET COMPLETE WITH EVAC 910, WALL MODEL, PRESTIGE TO REPLACE IFÖ TOILETS
- 6542545 EVACINSHINE TOILET COMPLETE WITH EVAC 910, WALL MODEL, MOSAIK TO REPLACE IFÖ TOILETS
- 6452548 EVACINSHINE TOILET COMPLETE WITH EVAC 910, WALL MODEL, PRESTIGE SOFT CLOSING TO REPLACE IFÖ TOILETS

