

# **Ruelco**



**ESD 3-Way Manual Valve Model 1103**

Phone (504) 340-0055  
Fax (504) 340-0056

# ESD

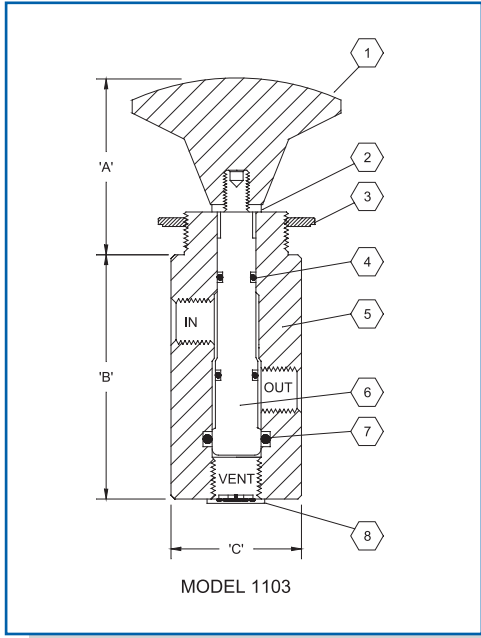
## 3-Way Manual Valve Model 1103

### FEATURES

- 316 stainless steel construction (models to N.A.C.E. MR0175 available).
- Large  $C_v$  factor provides a fast system response.
- May be used in pneumatic or hydraulic systems.
- Easily repaired without removing valve from panel.
- Threaded vent port allows use of vent screen.

### GENERAL DESCRIPTION:

The Ruelco 'ESD' manual valve has a simple and compact design. Its high flow rate and three way pull to open action makes it ideal for use in manual ESD systems and other control applications that require fast response time. The supply pressure acting on the unbalanced stem maintains the valve in the closed position. This prevents vibration or small pulling forces from accidentally opening the valve. Once pulled, the valve will stay in the open position until manually closed.



### Specifications P.S.I. (BAR)

Valve Body Max. W.P.	150 (10.3)
Ambient Temp. Range	-20 to 250 deg. F -29 to 122 deg. C
$C_v$ Factor	1.8

### Dimensions Inch (MM)

'A' (Closed / Open)	1.66 / 2.16 (42.2 / 54.9)
'B'	2.45 (62.2)
'C'	1.25 (31.8)
Port Size	1/4" NPT
Panel Mount Hole	1.0 (25.4)
Max. Panel Thickness	.25 (6.4)
Weight	16 OZ. (455 GM.)

## Parts List For ESD 3-Way Manual Valve

Item	Qty.	Description	Material	Part No.
1A	1	Black Knob (optional)	Phenolic	ZO-200-001
1B	---	Red Knob	Phenolic	ZO-200-002
1C	---	Green Knob (optional)	Phenolic	ZO-200-003
2	1	Flat Washer	316 St. Stl.	WB-AKO-J43
3	1	Panel Mount Nut	316 St. Stl.	10-006-000
4*	1	Stem Seal	Viton	VO-010-75H
5	1	Body	316 St. Stl.	11-004-0A0
6	1	Stem	316 St. Stl.	11-003-0A0
7*	1	Body Seal	Viton	VO-111-90H
8	1	Vent Screen (optional)	Plastic	ZO-100-000
9	---	Repair Kit	* Items	11-005-0A0

### Ordering Code: 1103 X 241 X X

