



2/2-way Angle-Seat Valve for medium up to +180°C, threaded port connection, DN 15-65

- High flow rate
- Long life cycle
- NC and NO universal actuators with modular universal accessory program up to control heads
- Deliverable with flow direction below or above seat
- Simple conversion of the control function

Type 2000 can be combined with...



Typ 8691

Control head



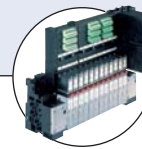
Typ 8690

Pneum. control unit with feedback



Typ 1062

Electrical position feedback



Typ 8640/8644

Valve block



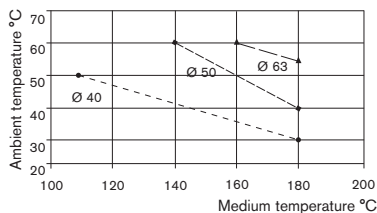
Typ 6012/6014 P

Pilot valve

The externally piloted angle-seat valve is operated with a single or double-acting piston actuator. The actuator is available in two different materials, PA and PPS depending on the ambient temperature. The reliable self-adjusting packing gland provides high sealing integrity. High flow rates are attained with the gunmetal or cast stainless steel 2-way body. These maintenance-free and robust valves can be retrofitted with a comprehensive range of accessories for position indication, stroke limitation or manual override.

For valves with port connection clamp and weld end please see separate datasheets.

¹⁾ **Note:** For PA actuators in the sizes 40, 50 and 63, the combination of max. medium temperature and max. ambient temperature is as shown in the following chart



| Technical data | |
|---|--|
| Orifice | DN 15 to 65 |
| Body materials | Gunmetal, cast stainless steel 316L |
| Actuator material | PA or PPS |
| Seal material | PTFE (NBR, FKM, EPDM on request) |
| Medium | Water, alcohol, oils, fuel, hydraulic fluids, salt solution, alkali solutions, organic solvents, steam |
| Viscosity | max. 600 mm ² /s |
| Packing gland (with silicone grease) | PTFE V-rings with spring compensation |
| Medium temperature¹⁾ | -10 to +180 °C with PTFE seal |
| Ambient temperature | |
| PA actuator ¹⁾ | -10 to +60 °C |
| PPS actuator ¹⁾ Ø 40-80 | +5 to +140 °C |
| PPS actuator ¹⁾ Ø 100-125 | +5 to +90 °C, briefly up to +140 °C |
| Installation | As required, preferably with actuator in upright position |
| Control medium | Neutral gases, air |
| Max. pilot pressure | |
| Actuator size Ø 40-80 | PA and PPS 10 bar |
| Actuator size Ø 100 | PA 10 bar |
| Actuator size Ø 100 | PPS 7 bar |
| Actuator size Ø 125 | PA and PPS 7 bar |
| Port connection | G 3/8 to G 2 1/2 (NPT on request) |

Content



Valve specifications

Type 2000 threaded port

Technical data & ordering info.

p. 1-7



System spec. On/Off Classic

Type 8801-YA/
8803-YA

Ordering info. & technical data

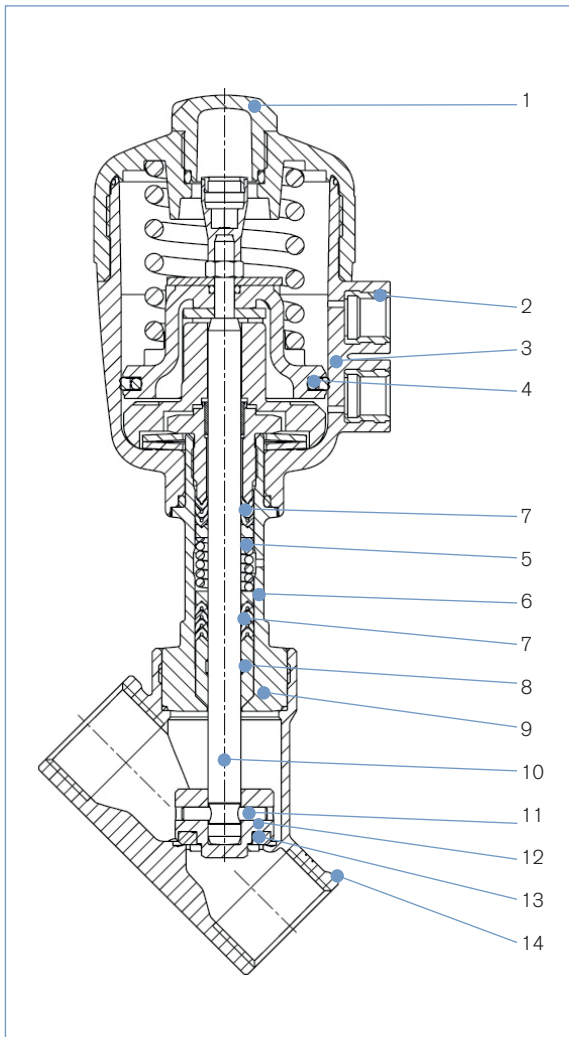
p. 8-11

Request for quotation

Type 8801-YA/
8803-YA

p. 12

Materials Type 2000 threaded port



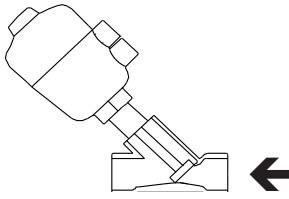
| | Gunmetal body | Cast stainless steel body |
|-------------------------------|----------------------------------|--|
| 1 Transparent cap | PC (with PPS actuator; PSU) | PC (with PPS actuator; PSU) |
| 2 Pilot air ports | Brass | Stainless steel 1.4305 |
| 3 Actuator | PA, PPS | PA, PPS |
| 4 Piston seal | NBR (with PPS actuator; FKM) | NBR (with PPS actuator; FKM) |
| 5 Spring | Stainless steel 1.4310 | Stainless steel 1.4310 |
| 6 Tube ²⁾ | Brass CuZn | Stainless steel 1.4401 Stainless steel 316L ³⁾ |
| 7 V-Seals | PTFE (FKM on request) | PTFE (FKM on request) |
| 8 Wiper | PTFE PEEK ¹⁾ | PTFE PEEK ¹⁾ |
| 9 Nipple ²⁾ | Brass CuZn | Stainless steel 1.4401 Stainless steel 316L ³⁾ |
| 10 Spindle | Stainless steel 1.4021 | Stainless steel 1.4401 |
| 11 Pin | Stainless steel 1.4401 | Stainless steel 1.4401 |
| 12 Swivel plate | Brass CuZn | Stainless steel 1.4401 |
| 13 Seal | PTFE (NBR, FKM, EPDM on request) | PTFE (NBR, FKM, EPDM on request) |
| 14 Valve body | Gunmetal GCuSn5ZnPb2%Ni | Stainless steel 316L |

¹⁾ For actuator size 100 mm and 125 mm

²⁾ Single piece with actuator size 63 mm to 125 mm

³⁾ For actuator size 63 mm to 125 mm

Technical data Type 2000 threaded port, flow direction below seat (for gases and liquid)



Flow direction below seat

| Orifice [mm] | Actuator size [mm] | Kv value water (m ³ /h) | Min. pilot pressure CFA [bar] | Max. operating pressure up to ±180° | | Weight [kg] |
|-----------------|-----------------------|---------------------------------------|----------------------------------|-------------------------------------|-----------|----------------|
| | | | | CFA [bar] | CFB [bar] | |
| 15 | 40 | 3.7 | 4.0 | 15 | 16 | 0.8 |
| | 50 | 4.2 | 3.9 | 16 | 16 | 0.8 |
| 20 | 40 | 7.0 | 4.0 | 6.5 | 16 | 0.9 |
| | 50 | 8.5 | 3.9 | 11 | 16 | 1.0 |
| | 63 | 9.0 | 4.5 | 16 | – | 1.4 |
| 25 | 50 | 10 | – | – | 16 | 1.2 |
| | 63 | 18 | 4.5 | 11 | 16 | 1.8 |
| | 80 | 18 | 5.0 | 16 | 16 | 2.2 |
| 32 | 63 | 25 | 4.5 | 6 | 16 | 2.2 |
| | 80 | 27 | 5.0 | 14 | 16 | 3.1 |
| 40 | 63 | 35 | – | – | 16 | 2.7 |
| | 80 | 38 | 5.0 | 9 | 16 | 3.5 |
| | 100 | 40 | 4.4 | 12.5 | – | 7.6 |
| | 125 | 40 | 3.2 | 16 | – | 9.0 |
| 50 | 63 | 49 | – | – | 13 | 4.0 |
| | 80 | 52 | – | – | 15 | 4.8 |
| | 100 | 55 | 4.4 | 7.2 | – | 7.0 |
| | 125 | 55 | 3.2 | 10 | – | 9.4 |
| 65 | 80 | 77 | – | – | 15 | 6.4 |
| | 125 | 90 | 3.2 | 5.2 | – | 11.0 |

Kv value water [m³/h]: Measured at +20 °C, 1 bar pressure at valve inlet and free outlet
 Pressure values [bar]: Measured as overpressure to the atmospheric pressure

Pilot pressure diagram with control function B and flow direction below seat

Diagram 1

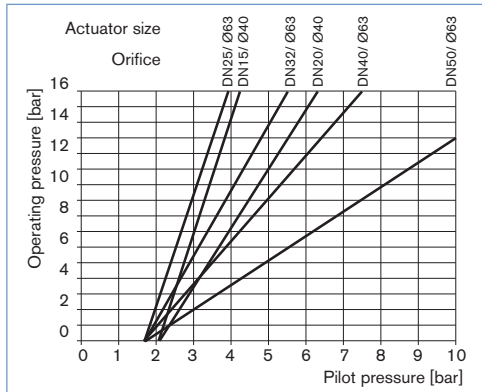
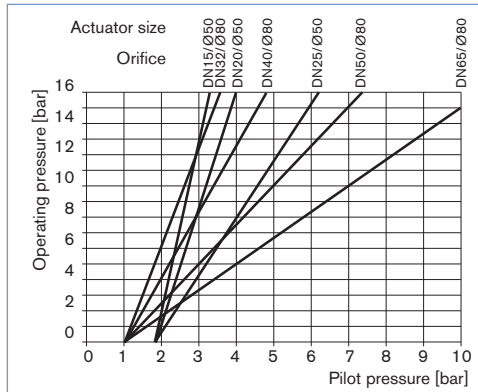
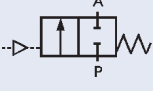
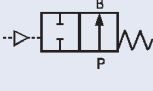


Diagram 2



Ordering chart Type 2000 threaded port, flow direction below the seat (for gases and liquid)

Different actuator and body materials

| Control function | Port connection | Orifice [mm] | Actuator size Ø [mm] | Kv value water [m³/h] | Minimum pilot pressure [bar] | Max. operating pressure up to 180 °C [bar] | Gunmetal body | | Cast st. st. body | |
|---|-----------------|--------------|----------------------|-----------------------|--------------------------------------|--|----------------------|-----------------------|----------------------|-----------------------|
| | | | | | | | Item no. PA actuator | Item no. PPS actuator | Item no. PA actuator | Item no. PPS actuator |
| A 2/2-way, normally closed (NC)  | G 3/8 | 15 | 40 | 3.7 | 4.0 | 15 | 178 614 | 178 613 | 142 613 | 178 612 |
| | G 1/2 | | 40 | 3.8 | 4.0 | 15 | 178 608 | 178 607 | 178 606 | 178 605 |
| | | | 50 | 4.2 | 3.9 | 16 | 178 684 | 178 683 | 178 682 | 178 681 |
| | G 3/4 | 20 | 50 | 8.5 | 3.9 | 11 | 178 680 | 178 679 | 178 678 | 178 677 |
| | | | 63 | 9.0 | 4.5 | 16 | 178 666 | 178 665 | 178 664 | 178 663 |
| | | | 80 | 18 | 5.0 | 16 | 186 489 | 187 565 | 186 488 | 187 844 |
| | G 1 | 25 | 63 | 18 | 4.5 | 11 | 178 676 | 178 675 | 178 674 | 178 667 |
| | | | 80 | 18 | 5.0 | 16 | 186 489 | 187 565 | 186 488 | 187 844 |
| | G 1 1/4 | 32 | 80 | 27 | 5.0 | 14 | 178 699 | 178 698 | 178 697 | 178 696 |
| | | | 125 | 40 | 3.2 | 16 | 186 487 | – | 187 840 | – |
| | G 1 1/2 | 40 | 80 | 38 | 5.0 | 9 | 178 695 | 178 694 | 178 693 | 178 692 |
| | | | 125 | 40 | 3.2 | 16 | 186 487 | – | 187 840 | – |
| G 2 | 50 | 100 | 55.0 | 4.4 | 7.2 | 001 134 | 002 170 | 001 140 | 001 239 | |
| | | 125 | 55.0 | 3.2 | 10 | 001 593 | 002 171 | 001 601 | – | |
| G 2 1/2 | 65 | 125 | 90.0 | 3.2 | 5.2 | 001 368 | 002 172 | 001 373 | 001 703 | |
| | | 125 | 90.0 | 3.2 | 5.2 | 001 368 | 002 172 | 001 373 | 001 703 | |
| B 2/2-way, normally open (NO)  | G 3/8 | 15 | 40 | 3.7 | see diagram 1 and 2 on previous page | 16 | 140 368 | 178 610 | 142 616 | 178 609 |
| | G 1/2 | | 40 | 3.8 | 16 | 178 601 | 178 602 | 178 603 | 178 604 | |
| | | | 50 | 4.2 | 16 | 178 691 | 178 690 | 178 689 | 178 688 | |
| | G 3/4 | 20 | 50 | 8.5 | 16 | 178 687 | 179 020 | 178 686 | 178 685 | |
| | | | 63 | 10 | 16 | 178 850 | 178 849 | 178 848 | 178 847 | |
| | G 1 | 25 | 50 | 10 | 16 | 178 845 | 178 853 | 178 852 | 178 851 | |
| | | | 63 | 25 | 16 | 178 845 | 178 853 | 178 852 | 178 851 | |
| | G 1 1/4 | 32 | 63 | 25 | 16 | 178 845 | 178 853 | 178 852 | 178 851 | |
| | | | 80 | 35 | 16 | 178 864 | 178 863 | 178 862 | 178 861 | |
| | G 1 1/2 | 40 | 63 | 35 | 13 | 001 371 | 002 179 | 001 376 | 001 709 | |
| | | | 80 | 52 | 16 | 001 595 | 002 180 | 001 603 | 002 164 | |
| | G 2 | 50 | 63 | 49.0 | 16 | 001 595 | 002 180 | 001 603 | 002 164 | |
| 80 | | | 52 | 16 | 001 595 | 002 180 | 001 603 | 002 164 | | |
| G 2 1/2 | 65 | 80 | 77.0 | 15 | 001 372 | 002 181 | 001 377 | 001 710 | | |
| | | 80 | 77.0 | 15 | 001 372 | 002 181 | 001 377 | 001 710 | | |

 Further versions on request


Material

Seal: NBR, FKM, EPDM



Control function

Double-acting actuator



Port connections

Clamp, weld end (see separate datasheets)



Approvals

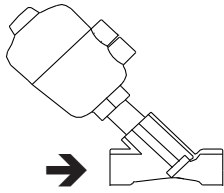
GL, SIL



Mediums temperature

Valves for mediums temperature up to +200°C or down to -40°C

Technical data Type 2000 threaded port, flow direction above seat (only for gas and steam)



Flow direction above seat

Attention!

Valves with flow direction above the seat are only conditionally usable for liquid medium. There is a danger of waterhammer!

| Orifice [mm] | Actuator size [mm] | Kv value water (m ³ /h) | Max. operating pressure up to 180° C | Weight [kg] |
|--------------|--------------------|------------------------------------|--------------------------------------|-------------|
| 15 | 40 | 3.7 | 16 | 0.8 |
| | 50 | 4.2 | 16 | 0.8 |
| 20 | 40 | 7.9 | 16 | 0.9 |
| | 50 | 8.0 | 16 | 1.0 |
| 25 | 50 | 14.5 | 16 | 1.2 |
| | 63 | 19.0 | 16 | 1.8 |
| 32 | 63 | 27.0 | 16 | 2.2 |
| 40 | 63 | 35.0 | 16 | 2.7 |
| | 80 | 38.0 | 16 | 3.5 |
| 50 | 63 | 49.0 | 16 | 4.0 |
| | 80 | 52.0 | 16 | 4.8 |
| 65 | 80 | 77.0 | 14 | 6.4 |
| | 100 | 90.0 | 15 | 8.6 |

Kv value water [m³/h]: Measured at +20 °C, 1 bar pressure at valve inlet and free outlet
 Pressure values [bar]: Measured as overpressure to the atmospheric pressure

| | |
|-------------------------------|--|
| Technical data | Flow direction above seat (only for gases and steam) |
| Medium | Gaseous medium and steam |
| Further technical data | Please see information Technical data on page 1 |

Pilot pressure diagram with control function A and flow direction above seat

Diagram 3

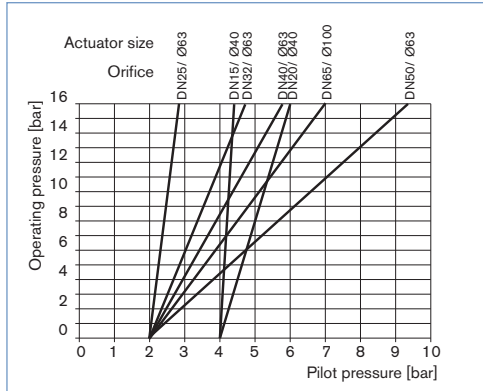
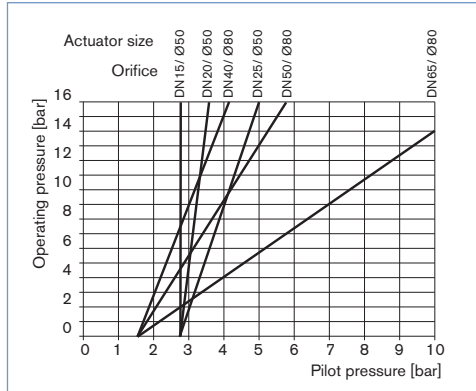


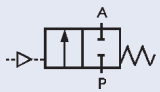
Diagram 4



Ordering chart Type 2000 threaded port, flow direction above the seat (only for gas and steam)

Various actuator and body materials

Minimum pilot pressure depending on operating pressure, please see diagram 3 and 4 on previous page

| Control function | Port connection | Orifice [mm] | Actuator size Ø [mm] | Kv value water [m ³ /h] | Max. operating pressure to 180°C [bar] | Gunmetal body | | Stainless steel body | |
|---|-----------------|--------------|----------------------|------------------------------------|--|----------------------|-----------------------|----------------------|-----------------------|
| | | | | | | Item no. PA actuator | Item no. PPS actuator | Item no. PA actuator | Item no. PPS actuator |
| A 2/2-way, normally closed (NC)  | G 3/8 | 15 | 40 | 3.7 | 16 | 186 588 | ■ | 142 615 | ■ |
| | G 1/2 | | 50 | 4.2 | 16 | 183 939 | 186 106 | 186 376 | 186 467 |
| | G 3/4 | 20 | 40 | 7.9 | 16 | 186 822 | ■ | 187 672 | ■ |
| | | | 50 | 8.0 | 16 | 185 356 | 180 374 | 185 304 | 180 375 |
| | G 1 | 25 | 50 | 14.5 | 16 | 186 380 | 187 556 | 186 729 | 187 872 |
| | | | 63 | 18.0 | 16 | 178 860 | 178 859 | 178 857 | 178 856 |
| | G 1 1/4 | 32 | 63 | 25.0 | 16 | 178 855 | 178 854 | 178 893 | 178 892 |
| | G 1 1/2 | 40 | 63 | 35.0 | 16 | 178 896 | 178 897 | 178 895 | 178 894 |
| | G 2 | 50 | 63 | 49.0 | 16 | 001 251 | 002 149 | 001 401 | 002 158 |
| | | | | 77.0 | 14 | 001 398 | 002 151 | 001 402 | 002 160 |
| G 2 1/2 | 65 | 80 | 90.0 | 15 | 130 332 | 186 344 | 130 333 | – | |
| | | 100 | 90.0 | 15 | 130 332 | 186 344 | 130 333 | – | |

■ on request

Further versions on request



Material
Seal: NBR, FKM, EPDM



Control function
Double-acting actuator



Port connections
Clamp, weld end (see separate datasheets)



Approvals
GL, SIL



Mediums temperature
Valves for mediums temperature up to +200°C or down to -40°C

Ordering chart for accessories

3/2-way pilot valves with banjo bolts

Seal material valve FKM, seal material banjo bolt NBR

| Valve for actuator size [Ø mm] | Type | Pressure inlet P (valve body) | Service port A (banjo bolt) | Orifice [mm] | Qn value air [l/min] | Pressure range [bar] | Electrical coil connection Ind. Std. | Power consumption [W] | Item no. Voltage/frequency [V/Hz] | Item no. Voltage/frequency [V/Hz] |
|--------------------------------|-------|-------------------------------|-----------------------------|--------------|----------------------|----------------------|--------------------------------------|-----------------------|-----------------------------------|-----------------------------------|
| | | | | | | | | | 024/DC | 230/50 |
| 50-63 | 6012P | Tube fitting ø6 mm | G 1/4 | 1.2 | 48 | 0-10 | Form B | 4 | 552 283 | 552 286 |
| 40 | 6012P | G 1/4 | G 1/8 | 1.2 | 48 | 0-10 | Form B | 4 | 552 295 | 552 298 |
| 50-125 | 6014P | G 1/4 | G 1/4 | 2 | 120 | 0-10 | Form A | 8 | 424 103 | 424 107 |

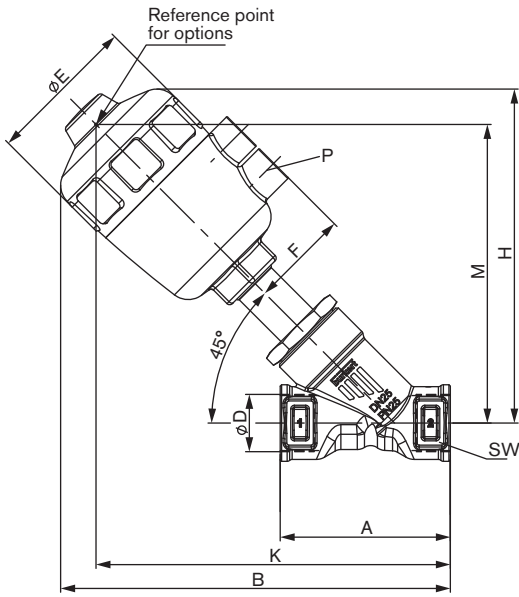
Cable plug Type 2507, Form B or Type 2508, Form A

| | Item no. |
|--|----------|
| Type 2507, Form B Industrial standard, 0 to 250 V without circuitry (Type 6012 P) | 423 845 |
| Type 2508, Form A acc. DIN EN 175301-803, 0 to 250 V without circuitry (Type 6014 P, Type 0331P) | 008 376 |

For further accessories see datasheet for Type 1062 or the accessories datasheet Type 2XXX for the full options programme.

Note: For design reasons, some of the accessories cannot be supplied for actuator size Ø 40 mm. Please request the accessories datasheet Type 2XXX.

Dimensions Type 2000 threaded port [mm]



| Orifice | Actuator size Ø | Port connection D | A | B | Ø E | H | K | M | P | SW |
|---------|-----------------|-------------------|-----|-----|-----|-----|-----|-----|-------|----|
| 15 | 40 | G 3/8 | 65 | 139 | 53 | 115 | 125 | 100 | G 1/8 | 27 |
| | | G 1/2 | | 139 | 53 | 115 | 125 | 100 | G 1/8 | |
| | 50 | G 3/8 | | 163 | 64 | 140 | 147 | 123 | G 1/4 | |
| | | G 1/2 | | 163 | 64 | 140 | 147 | 123 | G 1/4 | |
| 20 | 40 | G 3/4 | 75 | 147 | 53 | 120 | 133 | 106 | G 1/8 | 34 |
| | 50 | | | 171 | 64 | 144 | 155 | 129 | G 1/4 | |
| | 63 | | | 198 | 80 | 171 | 179 | 152 | G 1/4 | |
| 25 | 50 | G 1 | 90 | 181 | 64 | 152 | 166 | 136 | G 1/4 | 41 |
| | 63 | | | 206 | 80 | 177 | 188 | 158 | G 1/4 | |
| | 80 | | | 228 | 101 | 198 | 204 | 173 | G 1/4 | |
| 32 | 63 | G 1 1/4 | 110 | 219 | 80 | 183 | 200 | 164 | G 1/4 | 50 |
| | 80 | | | 240 | 101 | 205 | 217 | 180 | G 1/4 | |
| | 100 | | | 292 | 127 | 255 | 261 | 226 | G 1/4 | |
| 40 | 63 | G 1 1/2 | 120 | 222 | 80 | 188 | 203 | 170 | G 1/4 | 55 |
| | 80 | | | 244 | 101 | 209 | 220 | 185 | G 1/4 | |
| | 100 | | | 295 | 127 | 260 | 264 | 230 | G 1/4 | |
| | 125 | | | 324 | 158 | 289 | 287 | 253 | G 1/4 | |
| 50 | 63 | G 2 | 150 | 249 | 80 | 204 | 230 | 185 | G 1/4 | 70 |
| | 80 | | | 270 | 101 | 225 | 246 | 201 | G 1/4 | |
| | 100 | | | 317 | 127 | 272 | 287 | 242 | G 1/4 | |
| | 125 | | | 347 | 158 | 302 | 310 | 265 | G 1/4 | |
| 65 | 63 | G 2 1/2 | 185 | 275 | 80 | 218 | 256 | 199 | G 1/4 | 85 |
| | 80 | | | 296 | 101 | 239 | 272 | 215 | G 1/4 | |
| | 100 | | | 344 | 127 | 287 | 314 | 257 | G 1/4 | |
| | 125 | | | 374 | 158 | 317 | 337 | 280 | G 1/4 | |

**2000 threaded port
System On/Off Classic
8801-YA/8803-YA**

Ordering information for valve system On/Off Classic Type 8801-YA/8803-YA

A valve system On/Off Classic Type 8801-YA/8803-YA consists of an angle-seat valve Type 2000 and a valve actuation system control head Type 8691, a pneumatic control unit Type 8690 or an electrical position feedback Type 1062 (see separate datasheets).

For the configuration of further valve systems please use the "Request for quotation" on p. 12 [go to page](#)
You order two components and receive a complete assembled and certified valve.

Ordering the valve system On/Off Classic Type 8801-YA/8803-YA

**Angle-seat valve
Type 2000 threaded port**



Control units



8691
(for actuator
sizes 50-125 mm)



8690
(for actuator
sizes 50-125 mm)



1062

**Angle-seat valve with
desired control unit**

For port connections weld end and clamp, see separate datasheets



**Valve system
On/Off Classic
Type 8801-YA-H
2000 + 8691**



**Valve system
On/Off Classic
Type 8801-YA-K
2000 + 8690**



**Valve system
On/Off Classic
Type 8803-YA
2000 + 1062**

When you click on the orange box "More info." below, you will come to our website for the resp. product where you can download the datasheet.

Control head Type 8691



More info.

The new generation of integrated control heads for combination with actuators from the process valve series Type 20xx/21xx is specially designed for the requirements of hygienic process environments. The intelligent control head, Type 8691, detects the valve position by means of a contact-free analog position sensor circumventing excessive wear of mechanical parts. Single or double-acting actuators are controlled via the integral pilot valve. Communication interfaces AS-Interface and DeviceNet are available as options.

Main customer benefits:

- Automatic setting of the control head at the push of a button
- Even under dirty or dark environments, a clearly visible status display due to powerful LEDs
- Monitoring and diagnosis: Process valve systems with field bus interface used in modern plant processes
- Integrated pilot valve with manual actuation
- Air intake filter enhances the process valve system availability
- Simple and reliable actuator adaptations allowing additional actuators of the process valve series, Type 20xx or actuators from other manufacturers to be used

**Pneumatic control unit
Type 8690**



More info.

The new generation of integrated controllers for combination with actuators from the process valve series Type 20xx/21xx is specially designed for the requirements of hygienic process environments. The pneumatic control unit Type 8690 combines electrical position feedback and pneumatic control for single or double-acting actuators, and is also optionally available as an intrinsically safe model to ATEX.

Main customer benefits:

- Integrated pilot valve with manual actuation
- Air intake filter enhances the process valve system availability
- Simple and reliable actuator adaptations allowing additional actuators of the process valve series, Type 20xx or actuators from other manufacturers to be used

**Electrical Position Feedback
Type 1062**



More info.

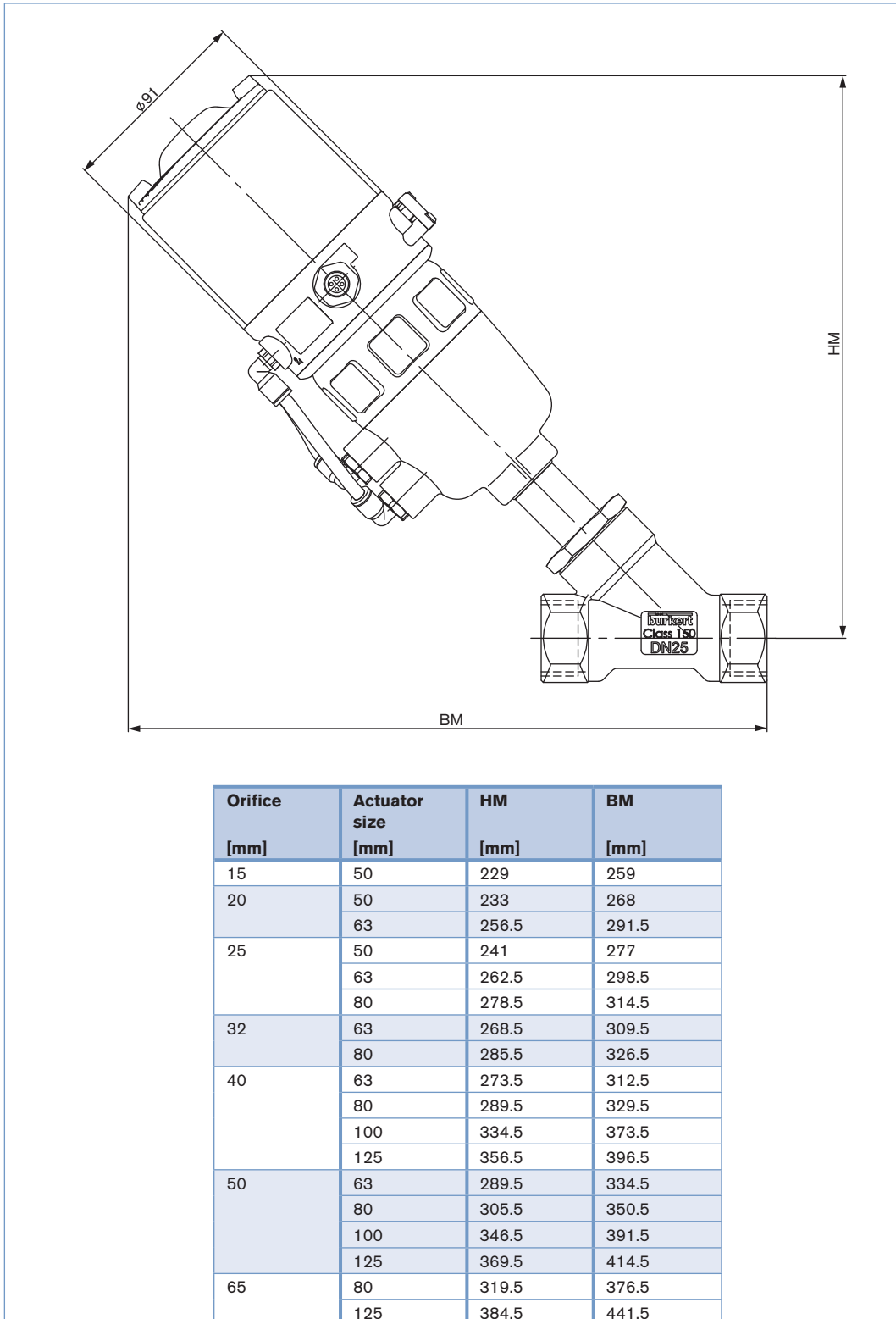
Positions are electrically signaled according to switch type:

- open,
- closed or
- open and closed.

LEDs provide optical position indication (except for Namur Ex-version). Mechanical or inductive switches are housed in a compact splash-proof enclosure. The position indicator can be rotated 360° and is easily fitted to the valve. Trip cams do not require adjustment. The unit only needs to be screwed on and connected to be ready for operation.

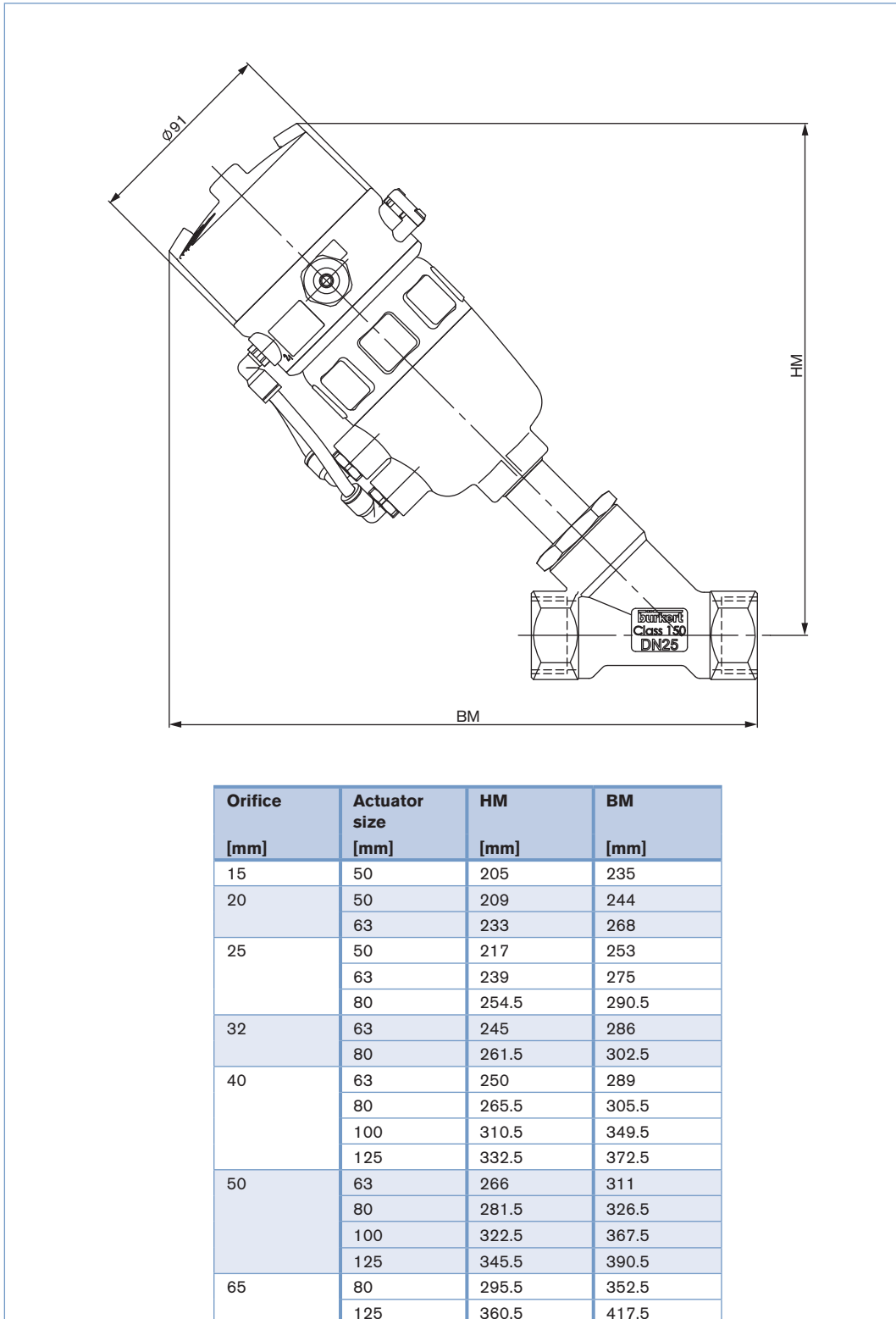
Dimensions for valve system On/Off Classic Type 8801-YE-H [mm]

Dimensions valve system On/Off Classic Type 8801-YA-H with TopControl Type 8691 [mm]



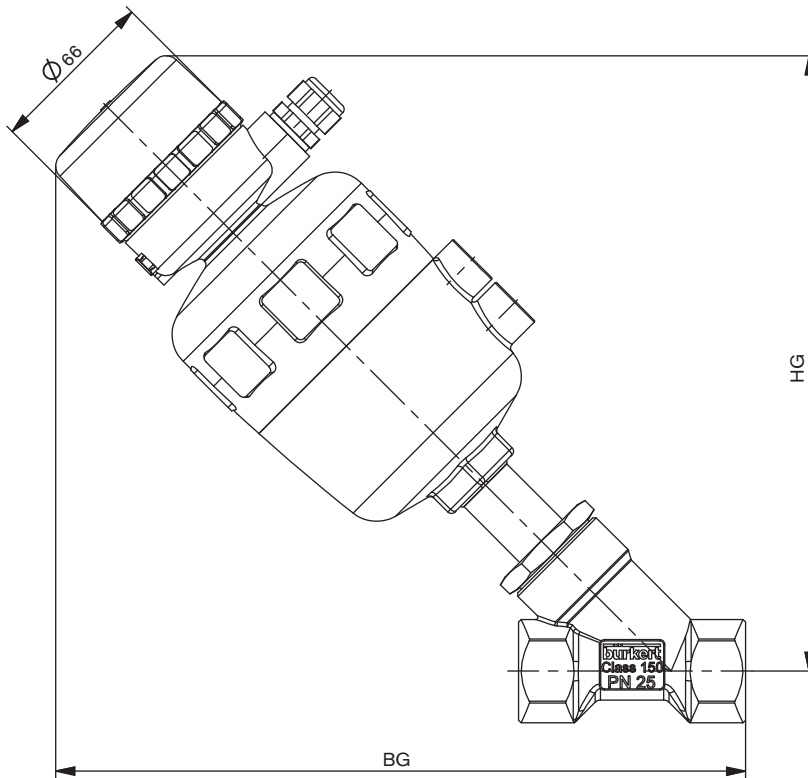
Dimensions for valve system On/Off Classic Type 8801-YE-K [mm]

Dimensions valve system On/Off Classic Type 8801-YA-K with TopControl Type 8690 [mm]



Dimensions for valve system On/Off Classic Type 8803-YA [mm]

Dimensions valve system On/Off Classic Type 8803-YA with electrical position feedback Type 1062 [mm]



| Orifice [mm] | Actuator size ø [mm] | HG [mm] | BG [mm] |
|--------------|-------------------------------|---------|---------|
| 15 | 40 | 179 | 203 |
| | 50 | 191 | 218 |
| 20 | 40 | 184 | 210 |
| | 50 | 199 | 222 |
| | 63 | 221 | 247 |
| 25 | 50 | 200 | 230 |
| | 63 | 222 | 251 |
| | 80 | 238 | 267 |
| 32 | 63 | 238 | 278 |
| | 80 | 256 | 301 |
| 40 | 63 | 241 | 281 |
| | 80 | 259 | 295 |
| | 100 | 302 | 342 |
| | 125 | 323 | 363 |
| 50 | 63 | 256 | 301 |
| | 80 | 271 | 316 |
| | 100 | 314 | 359 |
| | 125 | 337 | 382 |
| 65 | 63 | 270 | 327 |
| | 80 | 285 | 342 |
| | 100 | 329 | 386 |
| | 125 | 352 | 409 |

Note
You can fill out the fields directly in the PDF file before printing out the form.

Valve system On/Off Classic Type 8801-YA/8803-YA – request for quotation

Please fill out and send to your nearest Bürkert facility* with your inquiry or order

| | |
|---------------|----------------|
| Company | Contact person |
| Customer no. | Department |
| Address | Tel./Fax |
| Postcode/town | E-Mail |

= mandatory fields to fill out Quantity Required delivery date

Operating data

| | | | | |
|---|---------------------------------|--------------------------------|------------------------------|----------------------|
| Pipeline | DN | <input type="text"/> | PN | <input type="text"/> |
| Pipe material | <input type="text"/> | | | |
| Process medium | <input type="text"/> | | | |
| Type of medium | <input type="checkbox"/> Liquid | <input type="checkbox"/> Steam | <input type="checkbox"/> Gas | |
| Flow rate (Q, Q _N , W) ¹⁾ | <input type="text"/> | standard | <input type="text"/> | unit |
| Temperature at valve inlet | <input type="text"/> | | | |
| Absolute pressure at valve inlet | <input type="text"/> | | | |

¹⁾ standard unit: Liquid Q = m³/h; Steam W = kg/h; Gas Q_N = Nm³/h

Valve features

| | | | |
|-----------------------|--|---|--|
| Actuator material | <input type="checkbox"/> PA | <input type="checkbox"/> PPS | |
| Body material | <input type="checkbox"/> Stainless steel | <input type="checkbox"/> Gunmetal | |
| Seat sealing material | <input type="checkbox"/> PTFE <input type="checkbox"/> NBR | <input type="checkbox"/> Other <input type="text"/> | |
| Nominal pressure | PN | <input type="text"/> | |
| Nominal size | DN | <input type="text"/> | |
| Type of connection | <input type="checkbox"/> Welded | <input type="checkbox"/> Internal thread | <input type="checkbox"/> Clamp |
| Standard connection | <input type="checkbox"/> ISO | <input type="checkbox"/> DIN | <input type="checkbox"/> ANSI <input type="checkbox"/> JIS <input type="checkbox"/> Other <input type="text"/> |
| Function | <input type="checkbox"/> NC ²⁾ | <input type="checkbox"/> NO ²⁾ | <input type="checkbox"/> Double-acting |
| Pilot pressure | <input type="text"/> | min. | <input type="text"/> |

²⁾ NC: normally closed by spring action; NO: normally open by spring action

Control unit features

Click on the orange box "More info." below... you will come to our website for the resp. product where you can download the datasheet.

| Pneumatic Control Unit | Control Head | Electrical position feedback |
|---|---|---|
| <input type="checkbox"/> Type 8691 More info. | <input type="checkbox"/> Type 8690 More info. | <input type="checkbox"/> Type 1062 More info. |
| Pneumatic function <input type="checkbox"/> Single-acting <input type="checkbox"/> Double-acting Pilot air ports <input type="checkbox"/> Push-in connector external ø 6 mm or 1/4" <input type="checkbox"/> Thread G 1/8" Communication <input type="checkbox"/> ASI <input type="checkbox"/> Multipol M12 <input type="checkbox"/> Flat cable clip, 1 m cable <input type="checkbox"/> DeviceNet Please specify item no. if known: <input type="text"/> | Pneumatic function <input type="checkbox"/> Single-acting <input type="checkbox"/> Double-acting <input type="checkbox"/> Without pilot valve Position feedback <input type="checkbox"/> 1x inductive <input type="checkbox"/> 2x inductive <input type="checkbox"/> 1x inductive (NAMUR) <input type="checkbox"/> 2x inductive (NAMUR) <input type="checkbox"/> 1x mechanical <input type="checkbox"/> 2x mechanical Supply voltage <input type="checkbox"/> 24 V / DC (ATEX Zone 2/22) <input type="checkbox"/> Ex ia IIC T6 (ATEX Zone 1) Pilot air ports <input type="checkbox"/> Push-in connector <input type="checkbox"/> Thread G 1/8" external ø 6 mm or 1/4" Please specify item no. if known: <input type="text"/> | Limit switches <input type="checkbox"/> mechanical <input type="checkbox"/> Voltage 12-48 V <input type="checkbox"/> Voltage 110-250 V <input type="checkbox"/> inductive <input type="checkbox"/> NAMUR EExi Status <input type="checkbox"/> closed <input type="checkbox"/> open <input type="checkbox"/> open/closed Please specify item no. if known: <input type="text"/> |

continued on next page →

* To find your nearest Bürkert facility, click on the orange box → www.burkert.com

Valve system On/Off Classic Type 8801-YA/8803-YA – request for quotation, *continued*

| Control unit features | |
|---|--|
| Pilot valve | Stroke limitation |
| <input type="checkbox"/> Pilot valve | <input type="checkbox"/> Stroke limitation |
| Power supply <input type="text"/> | <input type="checkbox"/> Min./max. stroke limitation , with visual position indicator |
| | <input type="checkbox"/> Max. stroke limitation , without visual position indicator |
| Please specify item no. if known: <input type="text"/> | Please specify item no. if known: <input type="text"/> |

| Certifications |
|--|
| <input type="checkbox"/> Attestation of compliance with the order EN-ISO 10204 2.1 |
| <input type="checkbox"/> Test report EN-ISO 10204 2.2 |
| <input type="checkbox"/> Certification of Conformity for Raw Material EN-ISO 10204 3.1 |
| <input type="checkbox"/> EN161 (European Gas Device guideline) |

| Comment / sketch |
|------------------|
| |
| |
| |
| |
| |
| |
| |

DTS 1000100997 EN Version: R Status: RL (released | freigegeben | valide) printed: 28.07.2015