

Technical Data

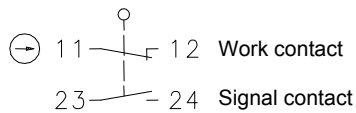
Safety switch

Series ENK – with separate actuator

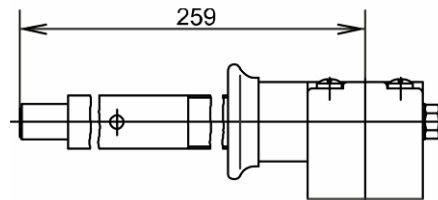
Description **ENK-U1Z VT 90GR**

Article number **6181100153**

Operating symbol



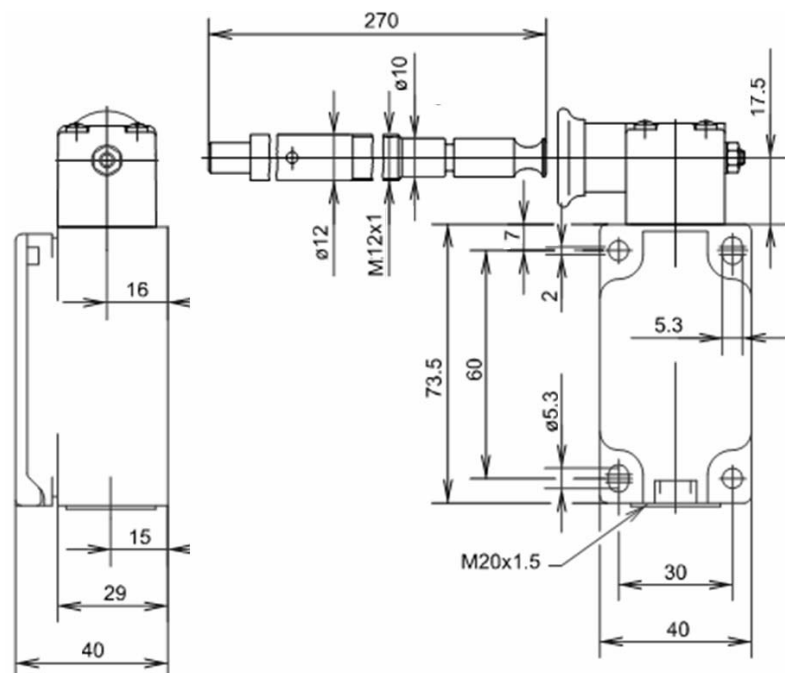
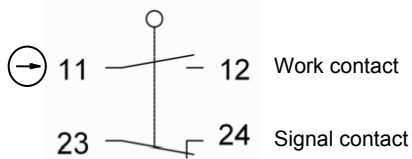
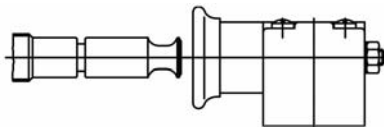
installation dimension, working position



Actuation process

Minimum opening way 40 mm

N.C power ca. 40 N



Electrical data

Rated insulation voltage	U_i	400 V AC
Conv. thermal current	I_{the}	10 A
Rated operational voltage	U_e	240 V
Utilization category		AC-15, U_e/I_e 240 V / 3 A
Positive opening NC contact	\ominus	IEC/EN 60947-5-1, Annex K
Short-circuit protective device		Fuse 10 A gG
Protection class		II, totally insulated

This document will not become the contractual basis; the details included herein do not constitute any descriptions of expected conditions, so that warranties/claims for defects on account of possible variations of the actual qualities from the qualities described herein are explicitly excluded. All rights reserved. Specifications subject to change without notice!

Date of issue: 07.12.2012 / Page 1 of 2
Document : 6181100153_en / Last update: 1 / 2855-12

Mechanical data	
Enclosure	Thermoplastic, glass fibre reinforced (UL 94-V0)
Cover	Thermoplastic, glass fibre reinforced (UL 94-V0)
Actuator	Separate actuator
Ambient air temperature	-30 °C ... +80 °C
Contact type	1 N.C, 1 N.O (Zb)
Mechanical life	10 x 10 ⁶ switching cycles
Switching frequency	≤ 100 / min.
Assembly	4 x M5
Connection	4 screw connections (M3,5)
Conductor cross-sections	Solid: 0,5 ... 1,5 mm ² Litz wire with ferrules: 0,5 ... 1,5 mm ²
Cable entrance	1 x M20 x 1,5
Weight	≈ 0,41 kg
Installation position	Operator definable
Protection type	IP65 acc. to EN 60529; DIN VDE 0470 T1

Kennzahlen für Sicherheitstechnik	
B10d	2 x 10 ⁶ Schaltspiele

Standards	
	VDE 0660 T100, DIN EN 60947-1, IEC 60947-1 VDE 0660 T200, DIN EN 60947-5-1, IEC 60947-5-1

EC Conformity	
	acc. to directive 2006/95/EC

Approvals	
	UL cCSA _{US} A300 (same polarity)

Notes

The degree of protection (IP code) specified applies solely to a property closed cover and the use of an equivalent cable gland with adequate cable and in working position from the actuator.

The actuator must be protected especially to prevent the circumvention or loosening.

The sliding surfaces are oiled from time to time according.