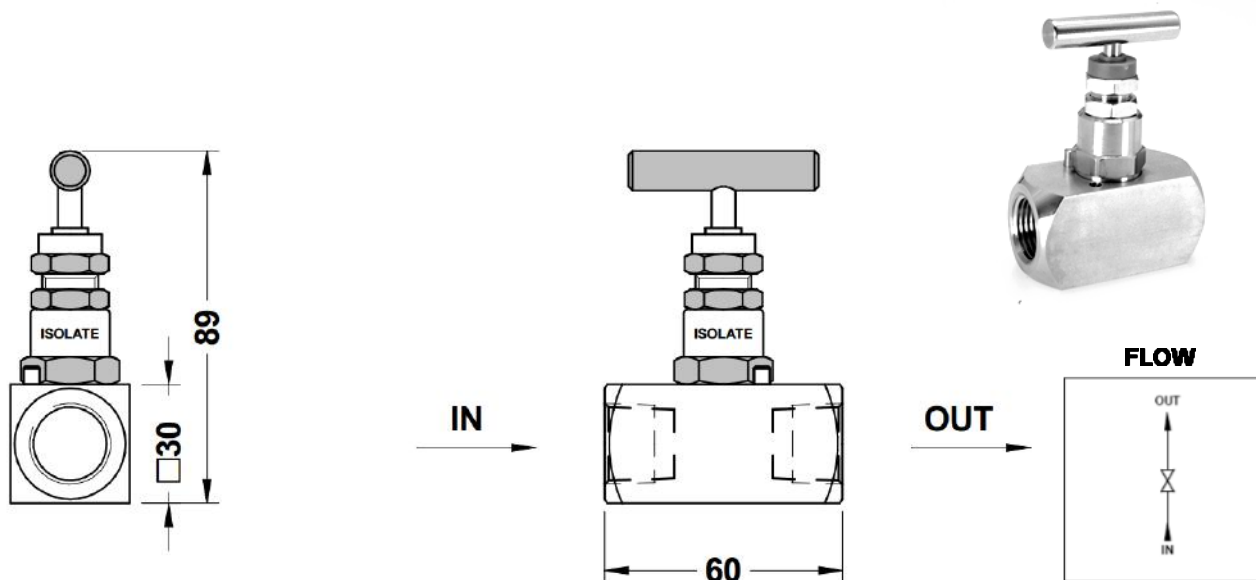


## 1000 Series

### Needle Valves 6,000 psi & 10,000 psi

Bar stock needle valves are designed for operation up to 10,000 psi rating. With standard PTFE stem packing & self centering non-rotating stem, our needle valves provide total sealing security and easy manoeuvrability.



#### Features

- IN : FEMALE ; 1/4"...1"
- OUT : FEMALE 1/4"... 1"
- MATERIAL: AISI 316L
- BAR STOCK BODY

#### Specifications

- Pressure up to 10,000 Psi ( 689 Bar )
- Temperature rating PTFE packing from  $-54^{\circ}\text{C}$  to  $+204^{\circ}\text{C}$  (  $-65^{\circ}\text{F}$  /  $+ 400^{\circ}\text{F}$  )
- Temperature rating GRAPHITE packing from  $-54^{\circ}\text{C}$  to  $+ 538^{\circ}\text{C}$  (  $-65^{\circ}\text{F}$  /  $+ 1000^{\circ}\text{F}$  ), only for pressures up to 6.000 psi
- Standard orifice diameter 4.0 mm
- Standard 316L stainless steel material

Item	Rating psi	In Size		Out size		Packing	Material
1000CBABABAA	C=6k; D=10k	1/4"	NPT-F	1/4"	NPT-F	A=PTFE ; B= Graphite*	316L
1000CBBBBBAA	C=6K	1/4"	BSP-F	1/4"	BSP-F	A=PTFE ; B= Graphite*	316L
1000CCACABAA	C=6k; D=10k	3/8"	NPT-F	3/8"	NPT-F	A=PTFE ; B= Graphite*	316L
1000CDADABAA	C=6k; D=10k	1/2"	NPT-F	1/2"	NPT-F	A=PTFE ; B= Graphite*	316L
1000CDBDBBAA	C=6k	1/2"	BSP-F	1/2"	BSP-F	A=PTFE ; B= Graphite*	316L
1000CEAEABAA	C=6K	3/4"	NPT-F	3/4"	NPT-F	A=PTFE ; B= Graphite*	316L
1000CGAGABAA	C=6K	1"	NPT-F	1"	NPT-F	A=PTFE ; B= Graphite*	316L

\* = Graphite only available up to 6.000 psi