

**Type code** PRA-DA-032-0400-0-2-2-1-1-1-BAS  
**Material number** 0822350010

**Description**

Series	<b>PRA</b>	Profile cylinder - series PRA
Piston diameter	<b>032</b>	Piston diameter 32
Stroke	<b>0400</b>	Stroke in mm
Threads	<b>0</b>	ISO Threads
Cushioning	<b>2</b>	Pneumatic cushioning
Piston	<b>2</b>	Piston with magnet ring
Piston rod	<b>1</b>	Single
Sealings	<b>1</b>	Sealings - standard PUR (-20°C to 80°C)
Scraper	<b>1</b>	Scraper - Standard PUR
Corrosion protection	<b>1</b>	Standard
Piston rod extension	<b>0</b>	Without piston rod extension
ATEX	<b>000</b>	Without ATEX
Trunnion mounting	<b>0</b>	Without trunnion mounting
Position trunnion mounting	<b>0</b>	
End covers	<b>0</b>	End covers without surface treatment
Port position		
Port position front	<b>1</b>	90° (3h)
Port position rear	<b>1</b>	90° (3h)



**Accessories**

Piston rod mountings	<b>000</b>	No mounting
Mounting at front cover	<b>000</b>	No mounting at front cover
Mounting orientation front	<b>00</b>	Without mounting
Mounting at rear cover	<b>000</b>	No mounting at rear cover
Mounting orientation rear	<b>00</b>	Without mounting
Counter bearing	<b>000</b>	No counter bearing
Guide units	<b>000</b>	No guiding unit, no locking element
Sensor type	<b>000</b>	Without Sensor
Sensor position	<b>00</b>	Without sensor position
Fittings front	<b>000</b>	Front cover - without fitting
Fittings rear	<b>000</b>	Rear cover - without fitting

**Note:**

A specific part number is required for ordering and clearly identifying the configured product. If the part number is not shown under the type code, please save your configuration under "Save project".

**Spare parts**

Piston rod	<b>R480963859</b>	PISTON ROD 032-0400-0-2-1-1-1
Tube		TUBE PRA-032-0400-0-1-1
Spare part kit - standard	<b>R413000898</b>	SPARE PART KIT PRA/TRB-032-ST

Type code PRA-DA-032-0400-0-2-2-1-1-1-BAS  
Material number 0822350010



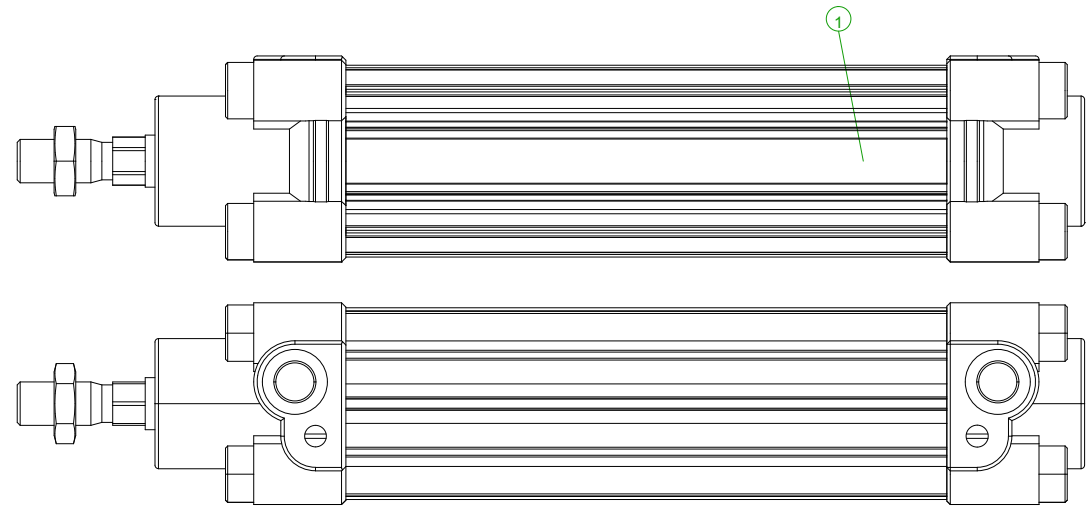
Please click on the image to activate the 3D model.

We are not liable for this 3D model since it has been generated automatically.

© Alle Rechte bei AVENTICS S.p.A., auch für den Fall von Schutzrechtsanmeldungen. Jede Weitergabe, wie Kopier- und Weitergaberecht, ist untersagt.

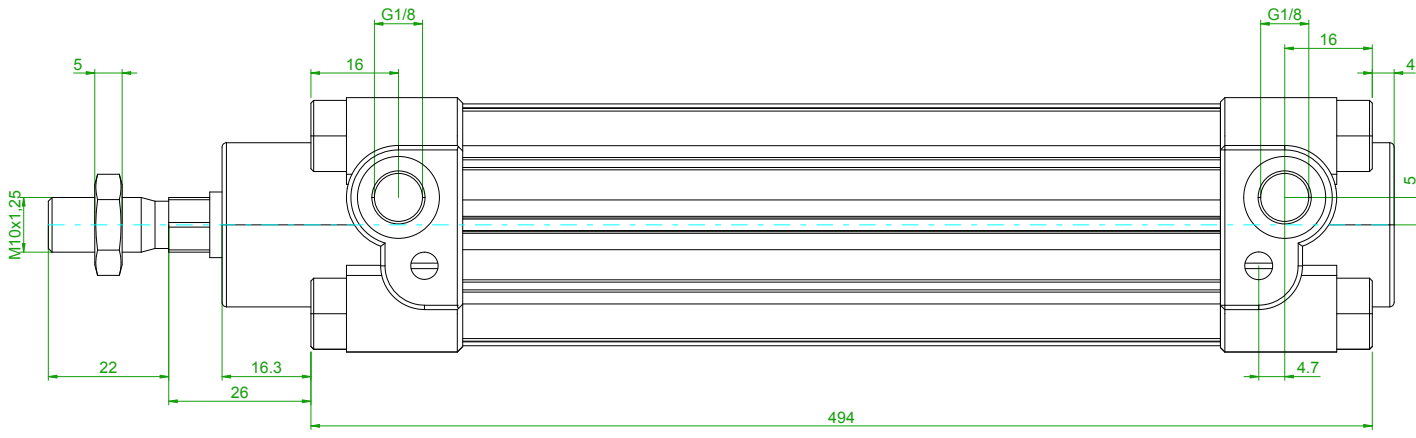
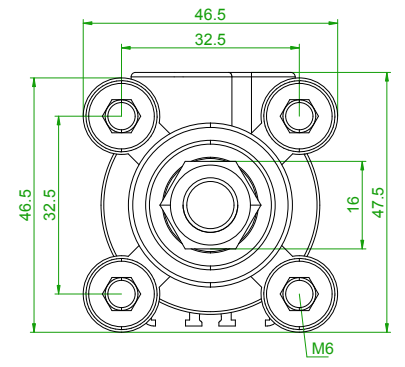
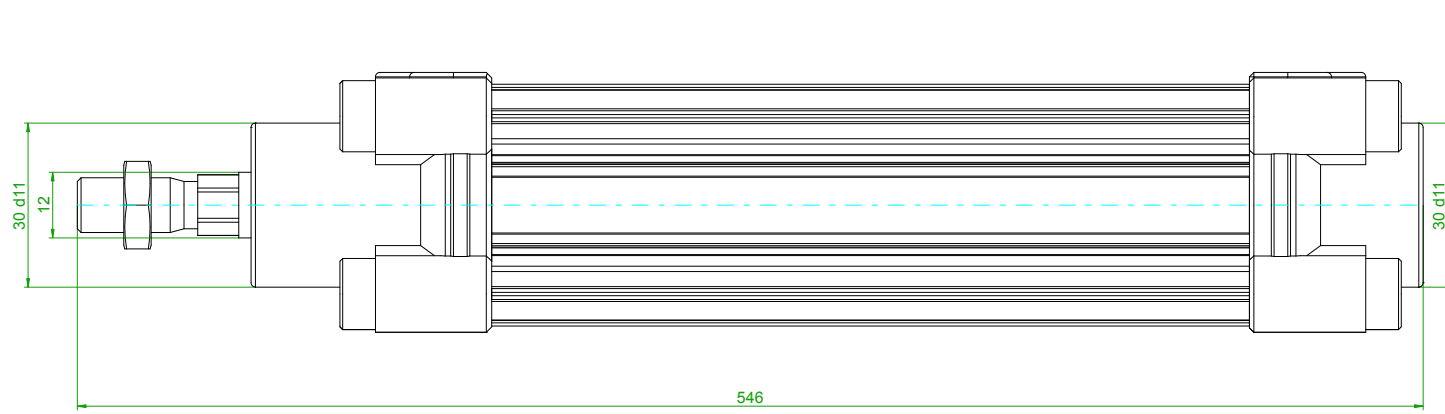
This document, as well as the data, specifications and other informations set forth in it, are the exclusive property of AVENTICS S.p.A. Without their consent it may not be reproduced or given to third parties.

Pos.	Quantity	Material number	Designation	Type code
1	1	0822350010	Base cylinder	PRA-DA-032-0400-0-2-2-1-1-1-BAS



Note:  
 Visualization of the air supply in standard position (top).  
 Stroke length not to scale.  
 For this drawing non-warranty exists, because it is build automatically.

AA	No changes	2019-06-28	Cylinder			-	-			
Ind.	Change/Amend.	Datum / Date	Drawn/Gez.	Checked/Gepr.	Released/Freig.	BWN	Resp. dept/Verantw. Abt.	Add info / Zus. Info		
LangSpr.	Syst.	Weight/Gew.			PRA-DA-032-0400-0-2-2-1-1-1-BAS			Sheet/Bl.		
EN		kg						1 / 1		
		Scale/M.stab	OFFER DRAWING		Doc. type	0822350010 - ZUZ		PO/DT	Ind.	Format
		---	ANGEBOTS-ZEICHN.		Repl. for	Repl. by		001	AA	A3



Note:  
 Visualization of the air supply in standard position (top).  
 Stroke length not to scale.  
 This drawing non-warranty exists, because it is build automatically.  
 Dimensions not shown, see technical documentation  
 Dimensions in mm

AA	No changes	2019-06-28	Cylinder						
Ind.	Change/Amend.	Datum / Date	Drawn/Gez.	Checked/Gepr.	Released/Freig.	BWN	Resp. dept/Verantw. Abt.	Add info / Zus. Info	
LangSpr.	Syst.	Weight/Gew.			PRA-DA-032-0400-0-2-2-1-1-1-BAS			Sheet/Bl.	
EN		kg						1 / 1	
		Scale/M.stab						Doc. type	
		---						MCC	0822350010 - AGZ
			OFFER DRAWING					PO/DT	Ind.
			ANGEBOTS-ZEICHN.					001	AA
								Repl. for	Repl. by
									A3