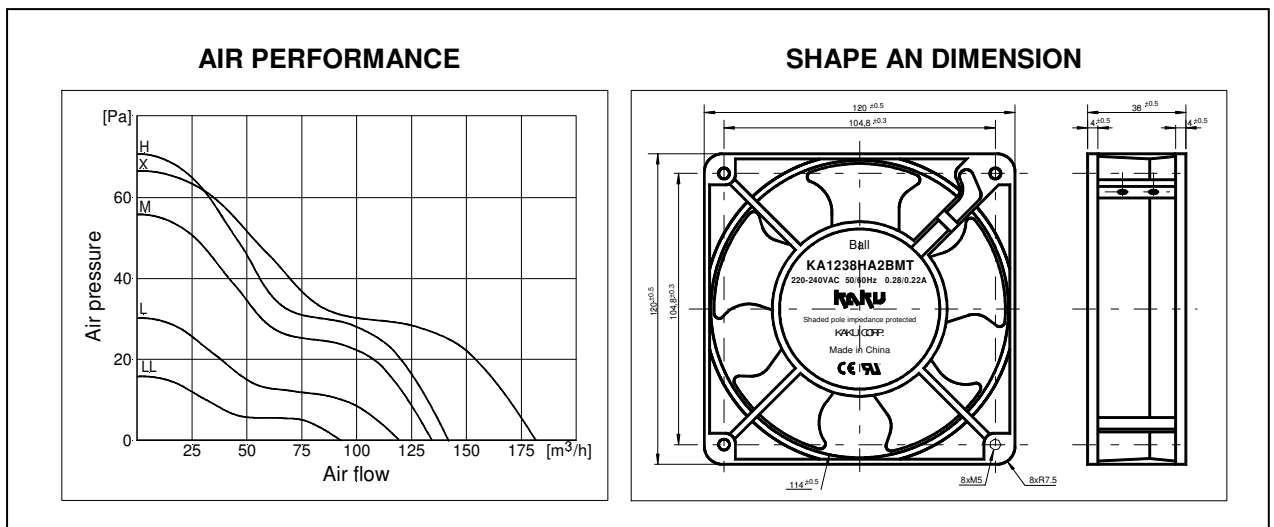


KA1238xA2BMT

HIGH PERFORMANCE AC-FAN



PERFORMANCE

CE	KA1238XA2 BMT/Mg	KA1238HA2 BMT/Mg	KA1238MA2 BMT/Mg	KA1238LA2 BMT/Mg	KA1238LLA2 BMT
Operating voltage [VAC]	207...230...253 (50Hz)				
Typ. power input [W]	23	21	12	9	10
Max. air flow [m ³ /h]	178	142	132	119	85
Max. air pressure [Pa]	65	70	57	32	15
Typ. noise @ 1m distance [dB(A)]	45	45	41	39	36
Operating temperature [°C]	-40 ... +80				
Direction of rotation	CW				
Direction o fair flow	Over struts				
Life expectancy L ₁₀ /MTTF @ 40°C [h]	70000/350000				
Typ. rotor speed [RPM]	2500	2700	2400	1150	1850
Bearing system	2 Ball bearings				
Weight [g]	470				
Connection	2 terminals 2.8x0.5mm (Lead wire on request)				
Standard packing quantity [Pcs.]	40 - 480				

This **KAKU**[®] AC fan is suitable for industrial use and has a remarkable air flow performance despite its very small dimensions. It is permanently electrically protected against rotor blocking and thermal overloading. Due to the low rotor weight and the precision balancing it has very low vibration and is insensitive to shock.

Further features of this fan are extremely robust and torsionally rigid housing of aluminum the ball bearings made from special steel and the impeller made from Magnesium.

KAKU[®] is the brand name for fans and CPU-cooler, made by KAKU Corp., CN

