

# DISTRIBUTORS / DISTRIBUTORI



		D20	D30	D3..	D4.. / D5..	D90	D250	
		HS	LS	LS	HS	HS	HS	
<b>Speed</b>	[rpm]	cont.	900	300	300	1600	700	500
		max.	1300	500	500	2400	1200	1000
<b>Pressure</b>	[bar]	cont.	200	140	250	250	250	250
		max.	400	280	500	500	500	500
<b>Flow</b>	[l/min]	cont.	50	200	200	200	500	1000
		max.	100	400	400	400	1000	2000

HS = High Speed / *Alta Velocità*

LS = Low Speed / *Bassa Velocità*

D20 is the standard distributor for GM03 series.

D40 is the standard distributor for GM05, GM1, GM2, GM3, GM4, GM5A, GM6, GM7 series.

D90 is standard for GM6 and GM7 series.

*D20 è il distributore standard per le serie GM03.*

*D40 è il distributore standard per le serie GM05, GM1, GM2, GM3, GM4, GM5A, GM6, GM7.*

*D90 è il distributore standard per le serie GM6 and GM7.*

Special distributors can be supplied that ensure silent running over a wide range of pressure and speed values.

*Su richiesta sono disponibili distributori speciali che assicurano il funzionamento quasi silenzioso del motore entro un'ampia gamma di pressioni e velocità.*

NB: the purge valve in distributors D481, D491, D311 discharge 20 lit/min at 20 bar: adequate provision should be provided to protect the charge pump.

*NB: le valvole di scambio montate nei distributori D481, D491, D311 permettono una portata di 20 lit/min at 20 bar: è importante assicurare la protezione della pompa di alimentazione.*

## COMBINATIONS / COMBINAZIONI

	GM03	GM05	GM1	GM2	GM3	GM4	GM5	GM6	GM7
<b>D20</b>	■								
<b>D3.. / D4.. / D5..</b>	■	■	■	■	■	■	■	-	-
<b>D90</b>	-	-	-	-	■	■	■	■	■
<b>D250</b>	-	-	-	-	-	-	-	■	■

■ ALWAYS POSSIBLE / SEMPRE POSSIBILE

■ POSSIBLE ON REQUEST / POSSIBILE SU RICHIESTA

- NOT POSSIBLE / NON POSSIBILE

	PORTS	HS/LS	DESCRIPTION
<b>D20</b>	1/4" BPS <sup>(1)</sup>	HS	Short distributor
<b>D30</b>	3/4" BPS <sup>(1)</sup>	LS	Short distributor
<b>D31</b>	3/4" BSP	LS	
<b>D310</b>	1" BSP	LS	
<b>D311</b>	1" BSP	LS	
<b>D312</b>	3/4" BSP	LS	
<b>D313</b>	1" BSP	LS	
<b>D314</b>	1" BSP	LS	
<b>D316</b>	1"5/16"-12	LS	
<b>D320</b>	1" BSP	LS	
<b>D322</b>	3/4" BSP	LS	Distributor with anti-cavitation valve
<b>D36</b>	1/16"-12	LS	
<b>D37</b>	1" SAE 3000psi	LS	
<b>D40</b>	1" BSP	HS	Standard for all motors except GM7
<b>D416</b>	1"5/16"-12	HS	
<b>D47</b>	1" SAE 3000psi	HS	
<b>D48</b>	1" BSP	HS	With double pressure relief valves, 420bar, 150l/min
<b>D481</b>	1" BSP	HS	As D48, with purge valve 20l/min at 20bar
<b>D49</b>	1" BSP	HS	With double pressure relief valves, 210bar, 80l/min
<b>D491</b>	1" BSP	HS	As D49, with purge valve 20l/min at 20bar
<b>D504</b>	1" BSP	HS	With double overcentre valve, 10:1, 120l/min, 270bar+shuttle v.
<b>D51</b>	1" BSP	HS	With single overcentre valve, 10:1, 120l/min, 270bar+shuttle valve
<b>D510</b>	1" BSP	HS	Short circuit freewheeling
<b>D524</b>	1" BSP	HS	With double overcentre valve, 4,5:1, 60l/min, 250bar and high pressure pilot line

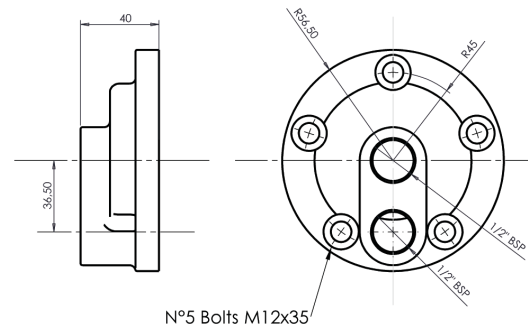
HS = High Speed; LS = Low Speed; <sup>(1)</sup> = Axial Ports

**D20**

Light distributor with axial port Connections.

*Distributore leggero con attacchi assiali.*

Weight : 2.5 kg

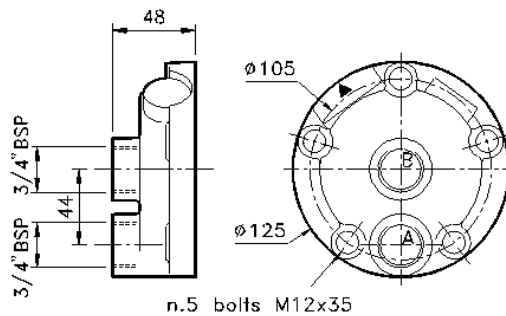


**D30**

Light distributor with axial port Connections, NB: cont. press. 140 bar; peak pressure 280 bar.

*Distributore leggero con attacchi assiali. NB: press. cont. 140 bar; press. di picco 280 bar.*

Weight : 2.5 kg



**D31**

Distributor with 3/4" ports.

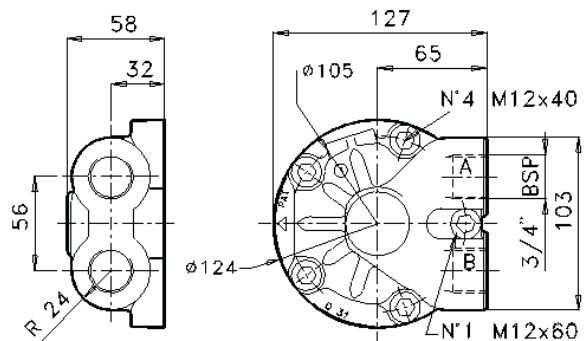
*Distributore con attacchi da 3/4".*

**D310**

As D31, with 1" ports.

*Come D31, con attacchi da 1".*

Weight : 4 kg



**D311**

Distributor with low pressure purge valve. Max flow 20 lit/min at 20 bar.

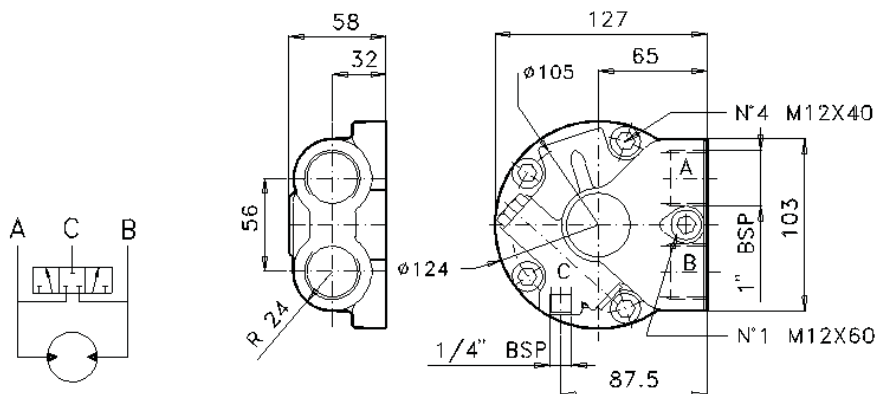
*Distributore con valvola di scambio. Portata max 20 lit/min a 20 bar.*

**D312**

As D311, with 3/4" ports.

*Come D311 con attacchi da 3/4".*

Weight : 4.5 kg

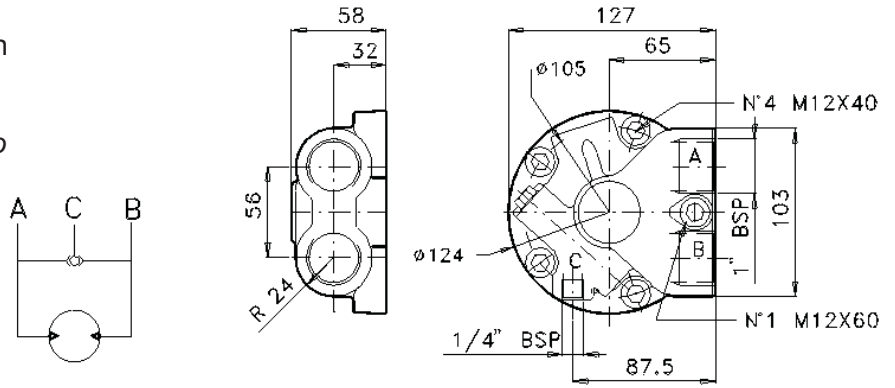


**D313**

Distributor with shuttle valve for high Pressure pilot.

*Distributore con valvola di pilotaggio Ad alta pressione.*

Weight : 4.5 kg

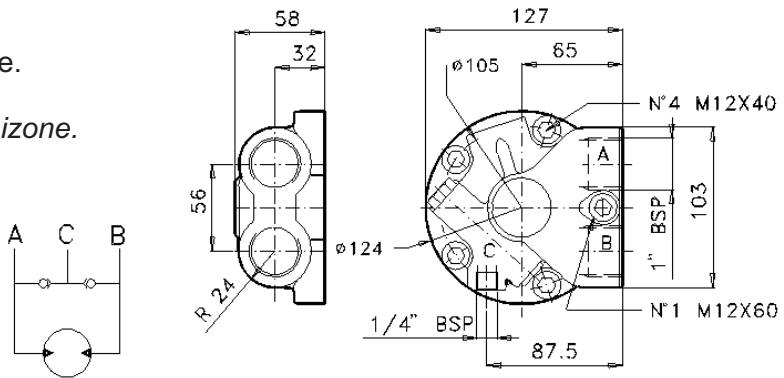


**D314**

Distributor with anti-cavitation valve.

*Distributore con valvola anti-cavitaizone.*

Weight : 4.5 kg

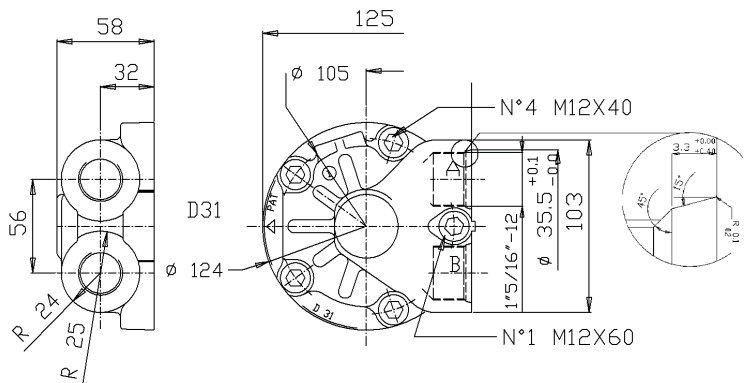


**D316**

Distributor with 1 5/16"-12 ports.

*Distributore con attacchi 1 5/16"-12.*

Weight : 5 kg

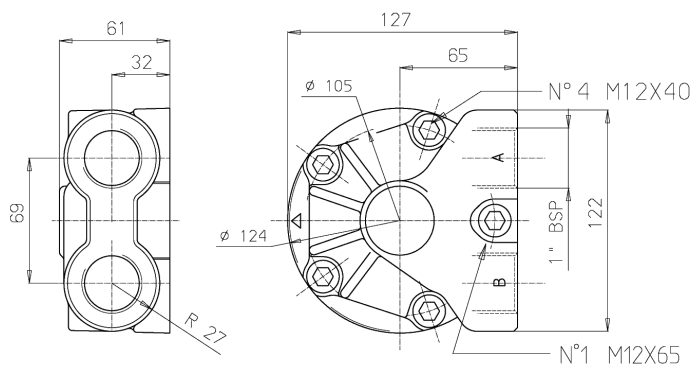


**D320**

Distributor 1 inch BSP ports.

*Distributore con attacchi 1 inch BSP.*

Weight : 4.5 kg

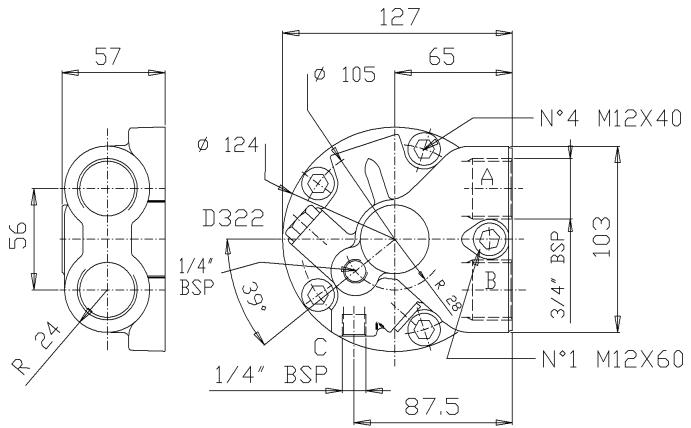
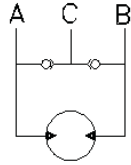


**D322**

Distributor with anti-cavitation valve.

*Distributore con valvola anti-cavitaizone.*

Weight : 4.5 kg

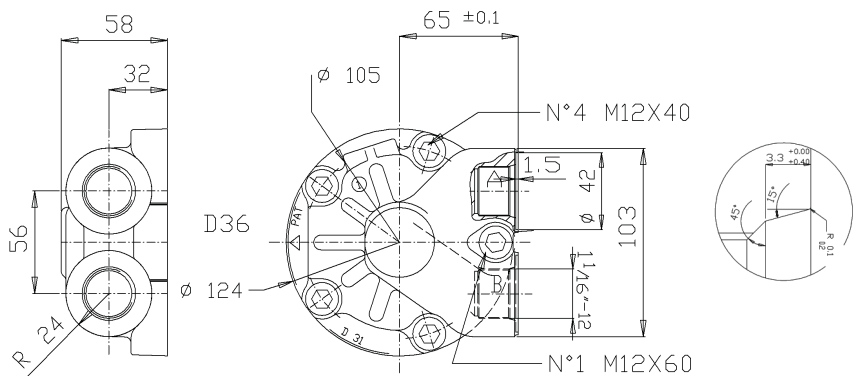


**D36**

Distributor with 1/16"-12 ports.

*Distributore con attacchi 1/16"-12.*

Weight : 4 kg

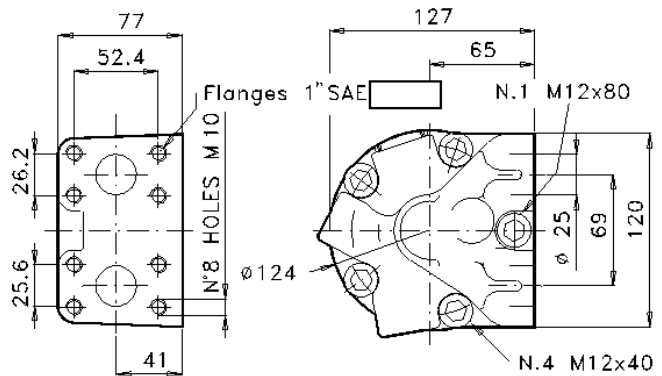


**D37**

Distributor with SAE 1" 3000 psi flanges.

*Distributore con flange SAE 1" 3000 psi.*

Weight : 5 kg

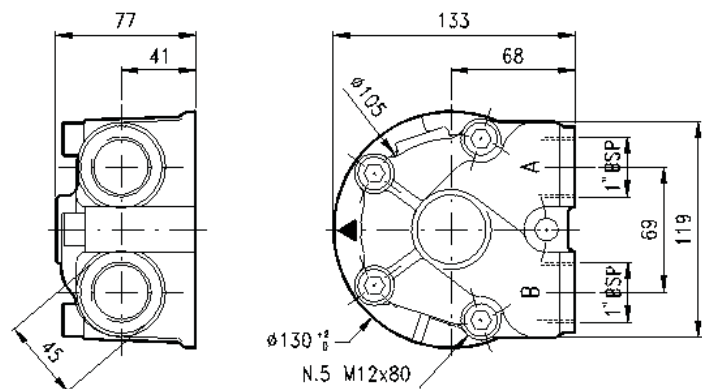


**D40**

Standard distributor for GM1, GM2, GM3, GM4 and GM5 series motors.

*Distributore standard per motori delle Serie GM1, GM2, GM3, GM4 e GM5.*

Weight : 5 kg

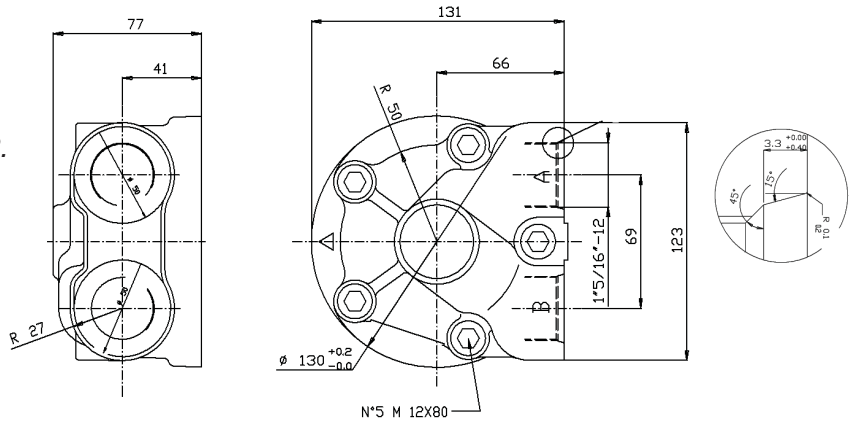


**D416**

Distributor with 1"5/16"-12 ports.

*Distributore con attacchi da 1"5/16"-12.*

Weight : 5 kg

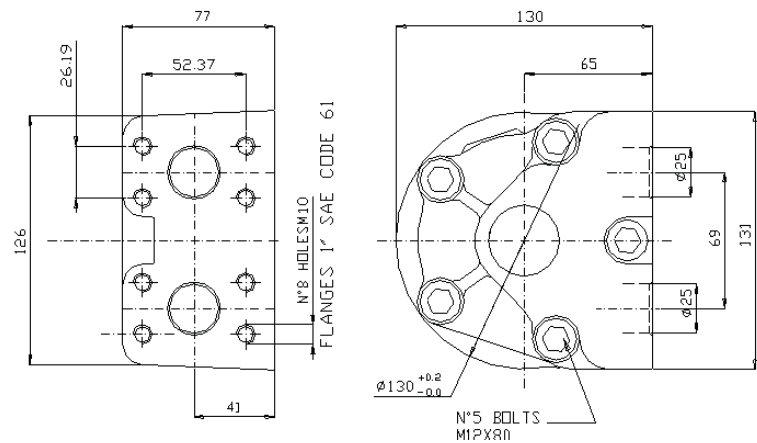


**D47**

Distributor with SAE 1" 3000 psi Flanges.

*Distributore con flange SAE 1" 3000 psi.*

Weight : 6 kg

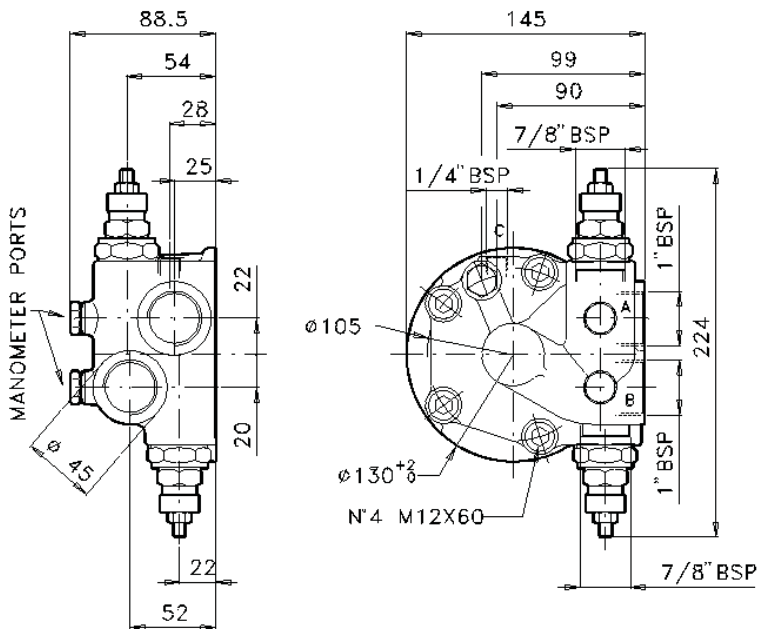


**D48**

Distributor with double sliding spool Pressure relief valves. Variable pressure settings, max 420 bar, max flow 150 lit/min.

*Distributore con valvole di massima Incrociate. Taratura pressione Variabile, max 420 bar. Portata max 150 lit/min.*

Weight : 6 kg

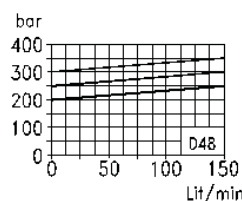
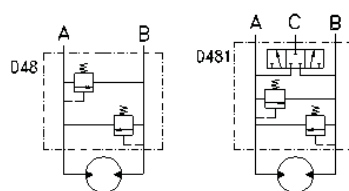


**D481**

As d48, with purge valve, 20 lit/min at 20 bar.

*Come D48, con valvola di scambio, 20 lit/min a 20 bar.*

Weight : 6 kg

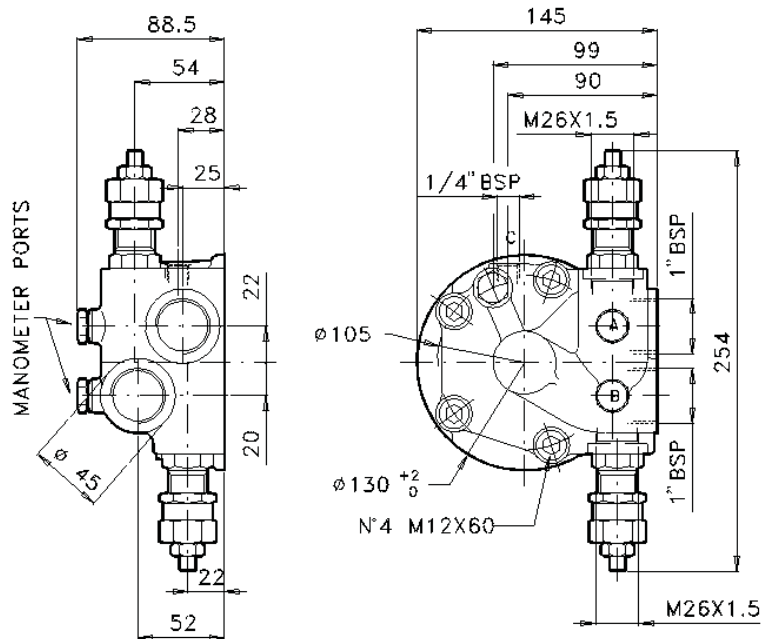


**D49**

Distributor with double sliding spool Pressure relief valves. Variable pressure settings, max 210 bar, max flow 80 lit/min.

*Distributore con valvole di massima Incrociate. Taratura pressione Variabile, max 210 bar. Portata max 80 lit/min.*

Weight : 6 kg

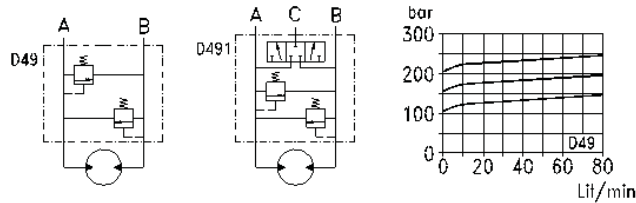


**D491**

As D49, with purge valve, 20 lit/min at 20 bar.

*Come D49, con valvola di scambio, 20 lit/min a 20 bar.*

Weight : 6 kg

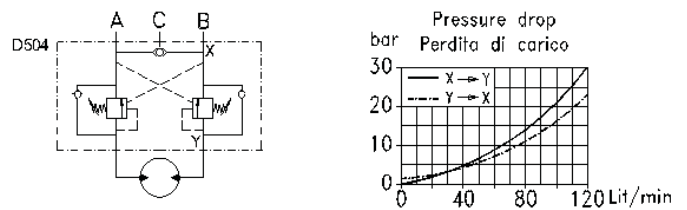
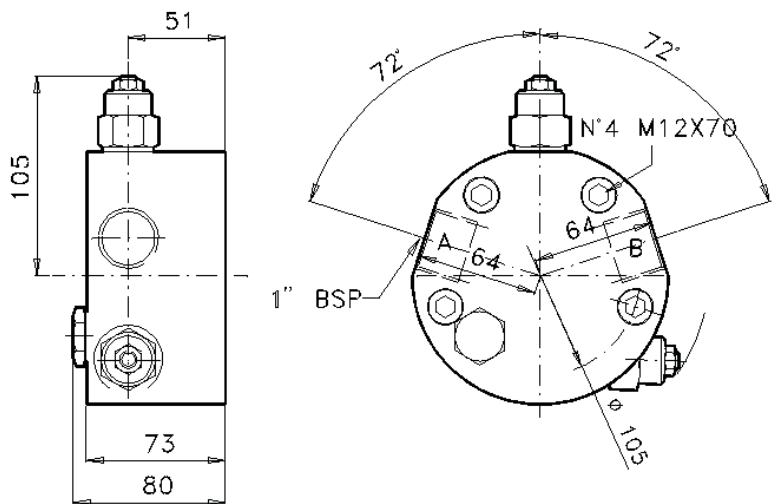


**D504**

Distributor with double overcentre Valve and high pressure pilot line (C). Max flow 120lit/min. Pilot ratio 10:1 Max pressure 265bar. Pressure setting = 1.3 x working pressure. Press. Setting range 100 to 350 bar Back-pressure in port B may adversely affect operation of the valve.

*Distributore con doppia valvola di Bilanciamento e valvola di pilotaggio ad alta pressine (C). Portata max 120 lit/min. Rapporto di pilotaggio 10:1 Pressione max 265 bar Press. Di taratura = 1.3 x press. di lavoro. Gamma di taratura da 100 a 350 bar. Contropressione in port B può causare malfunzionamento della valvola.*

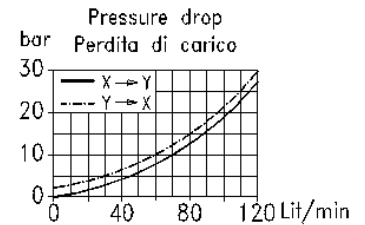
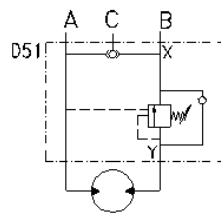
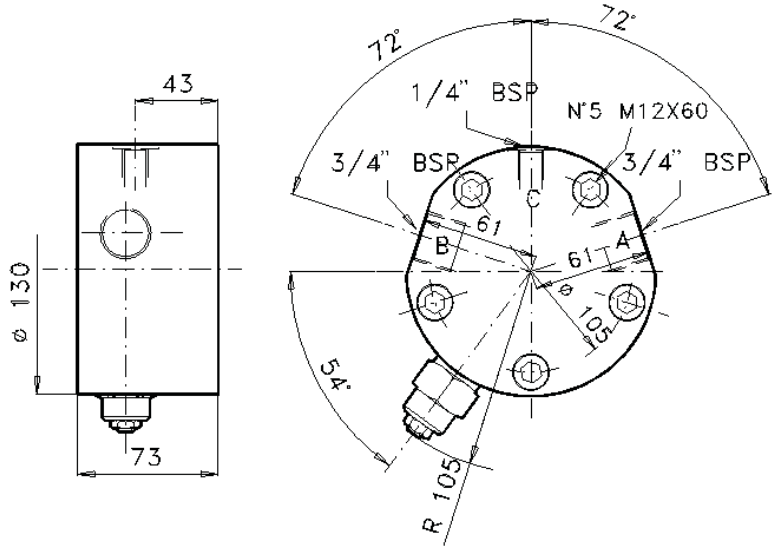
Weight : 5 kg



**D51**

Distributor with double overcentre Valve and high pressure pilot line (C).  
 Max flow 120lit/min.  
 Pilot ratio 10:1  
 Max pressure 265bar.  
 Pressure setting = 1.3 x working pressure.  
 Press. Setting range 100 to 350 bar  
 Back-pressure in port B may adversely affect operation of the valve.

*Distributore con doppia valvola di Bilanciamento e valvola di pilotaggio ad alta pressine (C).  
 Portata max 120 lit/min.  
 Rapporto di pilotaggio 10:1  
 Pressione max 265 bar  
 Press. Di taratura = 1.3 x press. di lavoro.  
 Gamma di taratura da 100 a 350 bar.  
 Contropressione in port B può causare malfunzionamento della valvola.*



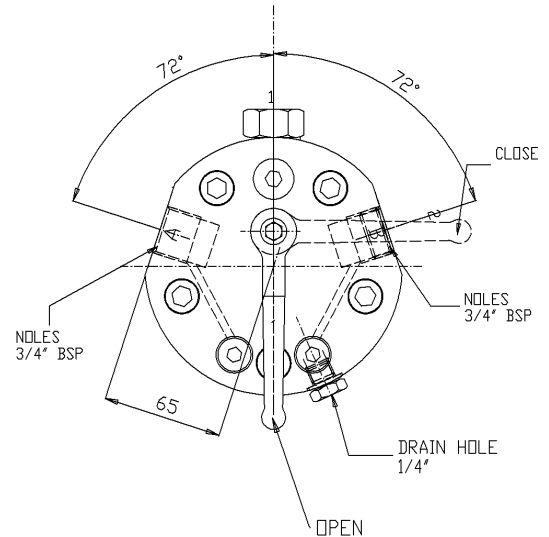
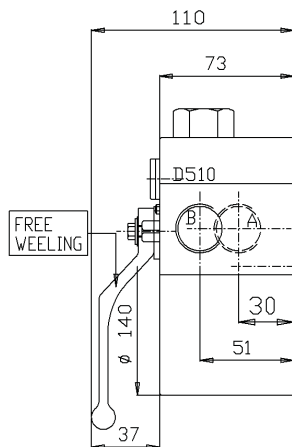
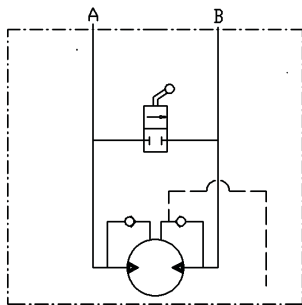
Weight : 5 kg

**D510**

Distributor for short circuit freewheeling.

*Distributore per freewheeling in corto circuito.*

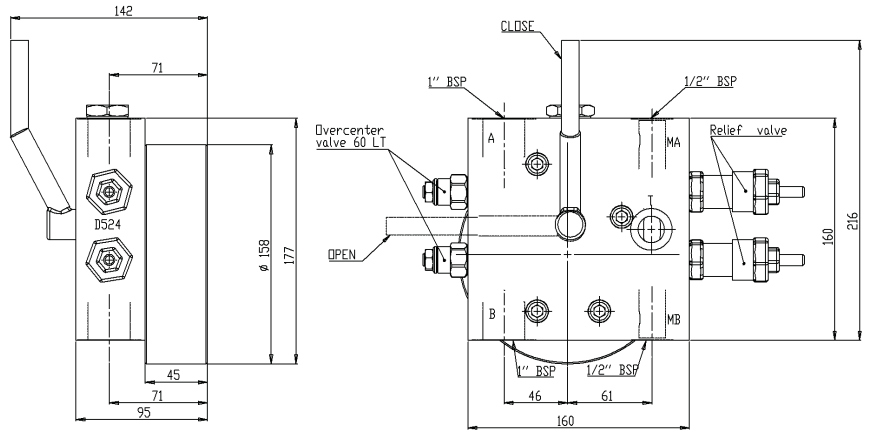
Weight : 5 kg





### D524

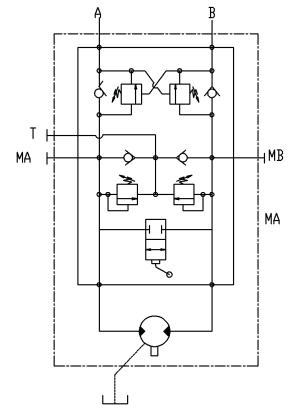
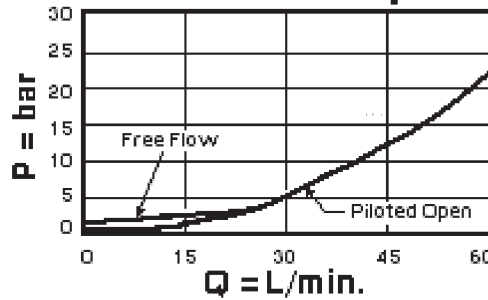
Distributor with double overcentre Valve and high pressure pilot line (C).  
 Max flow 60 lit/min.  
 Pilot ratio 4.5:1  
 Max pressure 250bar.  
 Pressure setting = 1.3 x working pressure.  
 Press. Setting range 140 to 350 bar  
 Back-pressure in port B may adversely affect operation of the valve.



*Distributore con doppia valvola di Bilanciamento e valvola di pilotaggio ad alta pressione (C).  
 Portata max 60 lit/min.  
 Rapporto di pilotaggio 4.5:1  
 Pressione max 250 bar  
 Press. Di taratura = 1.3 x press. di lavoro.  
 Gamma di taratura da 140 a 350 bar.  
 Contropressione in port B può causare malfunzionamento della valvola.*

Weight : 5 kg

#### Free Flow and Piloted Open Pressure Drop

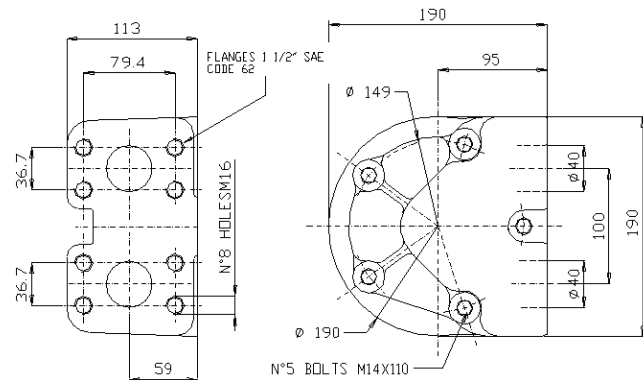


### D90

Standard distributor for GM6 series motors.

*Distributore standard per motori della Serie GM6.*

Weight : 14.5 kg

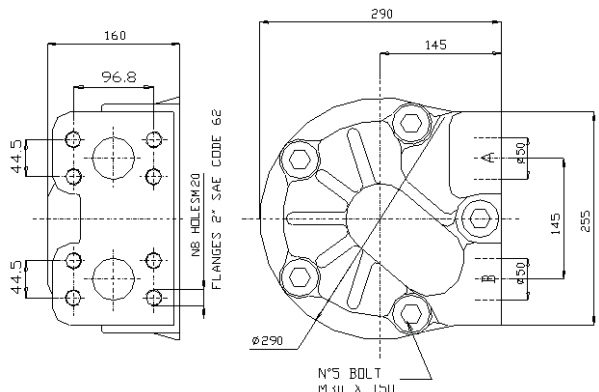


### D250

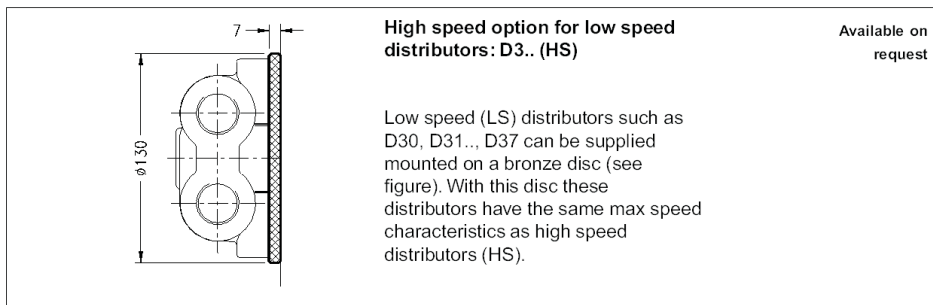
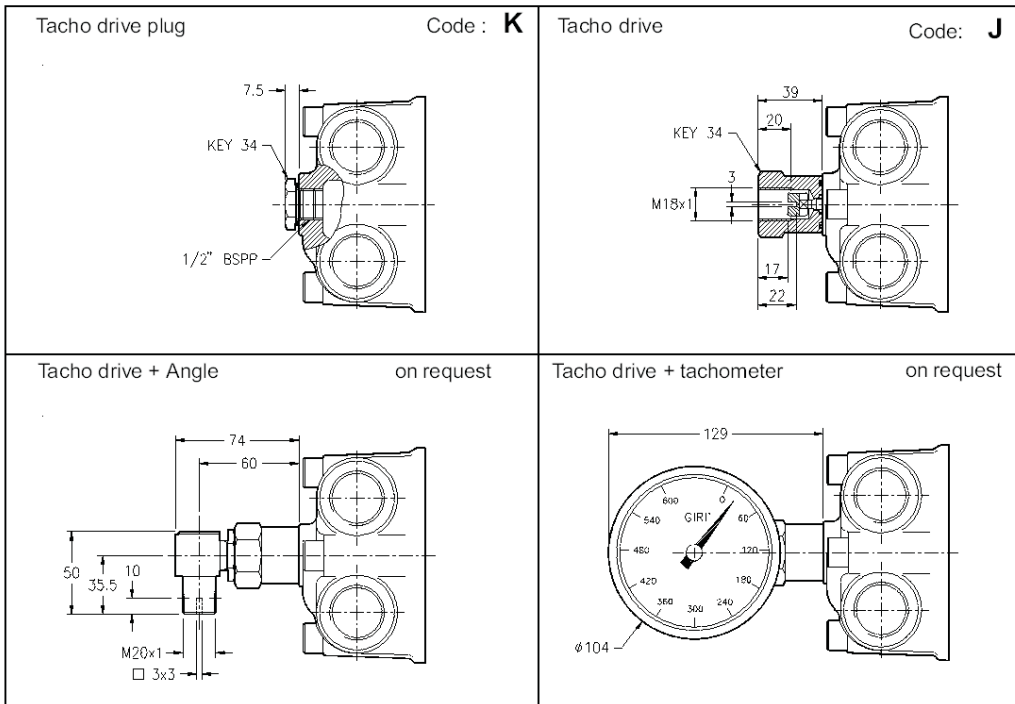
High flow distributor.

*Distributore a portata elevata.*

Weight : 50 kg



**MECHANICAL TACHOMETER**



**DISTRIBUTOR ORDER CODE**

DESCRIPTION	CODE	
(7) DISTRIBUTOR TYPE	D...	
(8) Valve pressure setting (bar)	(...)	
(9) Prepared for tacho drive Tacho drive	K J	

**Available on request:**

Note: standard distributors are supplied with a steel anti-extrusion ring for the main seal in the rotor which is suitable for suitable for high pressure operation.

- The distributors may be supplied with seals in different materials.
- Special distributor for silent running motors
- Intermediate bronze disc for high speed operation with low speed distributors