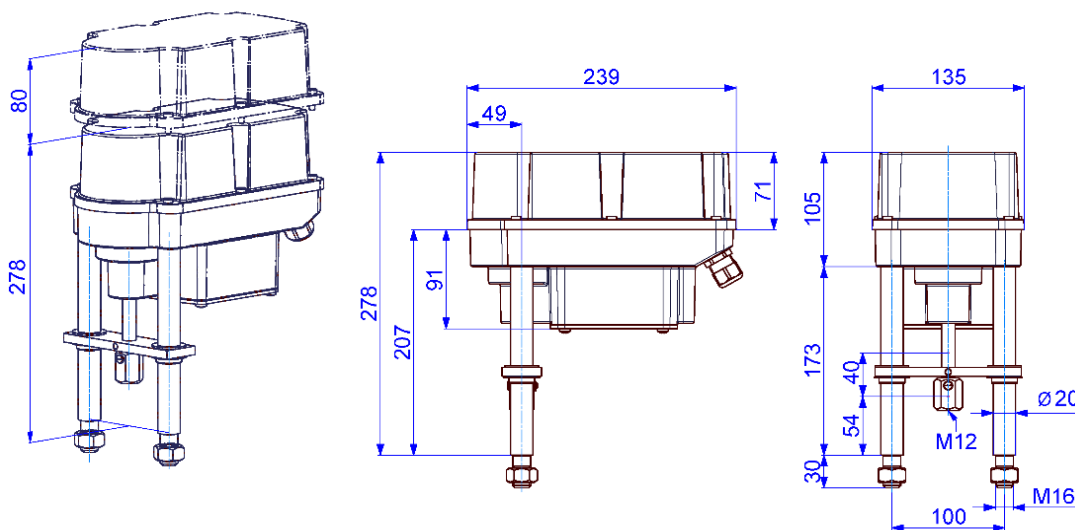


# Linear Actuator with Fail Safe Function



PSF

Spring Return  
Function

1-2 kN

Minimum Force

1-2 kN min. Modulating Force)<sup>1</sup>

0.3 mm/s

Operating speed

5 - max. 40 mm

Stroke

Positioner  
integrated

Actuator

Class C

acc. to EN ISO 22153

Enclosure IP65

EN 60529

weight: approx. 5.6 kg without accessories

Operating speed	0,3 mm/s	
Power Supply [V]	100 - 240 VAC 1~	24 VAC/DC
Frequency [Hz]	50 - 60	50 - 60 / -
Nominal Current [A]	0.04 - 0.08	0.4 / 0.2
Maximum Current [A]	0.04 - 0.08	0.4 / 0.2
Power Consumption) <sup>2</sup> [W]	6	6 / 5
Duty Cycle IEC 60034-1,8	S2 - 30 min / S4 - 1200 c/h - 50%ED	

PSF401

1 kN

Operating speed	0,3 mm/s	
Power Supply [V]	100 - 240 VAC 1~	24 VAC/DC
Frequency [Hz]	50 - 60	50 - 60 / -
Nominal Current [A]	0.07 - 0.14	0.7 / 0.35
Maximum Current [A]	0.07 - 0.14	0.7 / 0.35
Power Consumption) <sup>2</sup> [W]	9	9 / 8
Duty Cycle IEC 60034-1,8	S2 - 30 min / S4 - 1200 c/h - 50%ED	

PSF402

2 kN

Standard	Description
Ambient Temperature [°C]	-10 to +60 °C
Motor Protection	electronic motor current monitoring with safety cut-off
Overvoltage Category	II
Set Value and Feedback	0-20 mA, 4-20 mA, 0-10 V, 2-10 V selectable
Binary Control	24 - 230 VAC for ON/OFF service (minimum duration of pulse 1 sec.)
Valve Positioner Function	integrated, deadband 0.6% of full signal range, shut-off minimum
Automatic Start-Up	recognizing the end position(s) and autoscaling of set value and feedback
Internal Fault Monitoring	force, set value, temperature, power supply
Cable Glands	2 pcs. ISO M20 x 1.5 and 1 pcs. ISO M16 x 1.5
Fail-Safe Operating Direction	<p><b>Spring Extend (SE) - Spring extends actuator stem</b></p> <p>or</p> <p><b>Spring Retract (SR) - Spring retracts actuator stem</b></p>

Standard  
Equipment

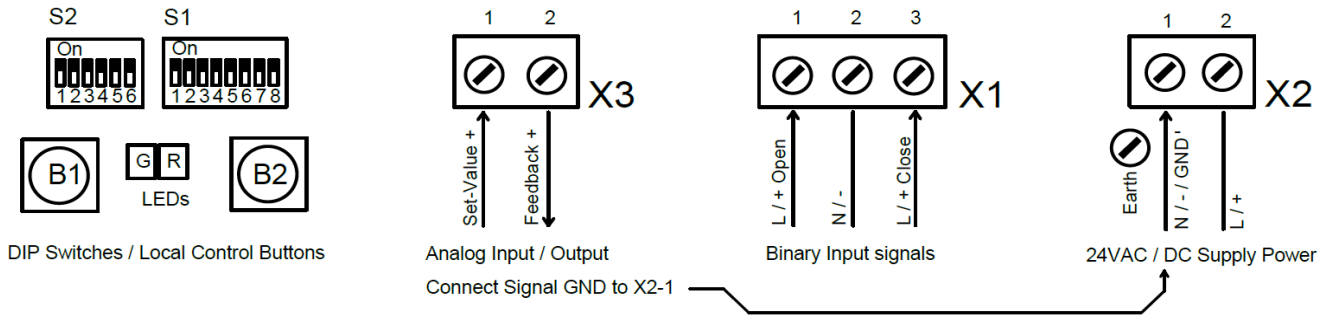
)<sup>1</sup> = permissible average force over the entire travel

)<sup>2</sup> = at max. force

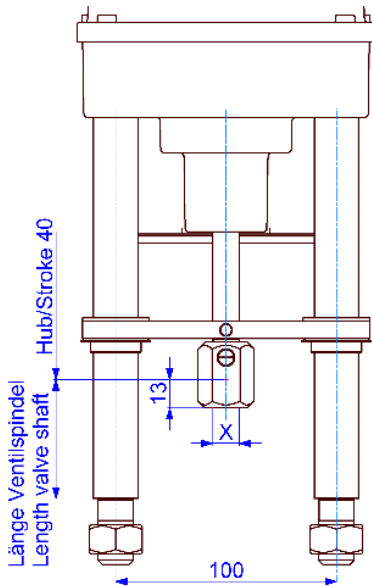
PSF

# Technical Data

## Wiring Diagram



## Valve Connection

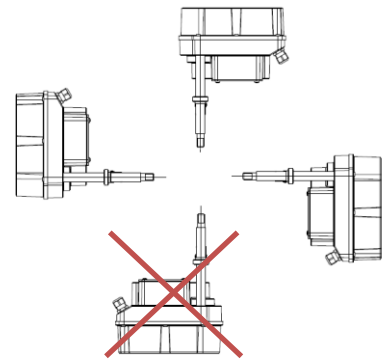


## Connection Thread X

<b>M8</b>	Optional
<b>M10</b>	Optional
<b>M12</b>	<b>Standard</b>

*Fine threads and other sizes on request!*

## Mounting Position



## Accessories/ Options

Position Signal Switches, mechanical	2WE	2 potential-free position switches, mechanical, with silver changeover contacts (0.1 A - 5 A switching current)
Position Signal Switches Gold, mechanical	2WE Gold	2 potential-free position switches, mechanical, with gold changeover contacts (0.1 mA - 100 mA switching current)
Position Signal Relays		2 position signal relays with changeover contacts, calibrated automatically to valve stroke 24 V to 230 V AC/DC @ 0.1 A - 1 A Switching point adjustable 0-100 % of the stroke using potentiometers
Heating Resistor	HR	Heating resistor to prevent condensation
Wide Range Power Supply		100 - 240 VAC 1~
Increased Enclosure	IP	Increase of enclosure to IP67

For more information and accessories, please visit our website [www.ps-automation.com](http://www.ps-automation.com)!

Subject to changes!