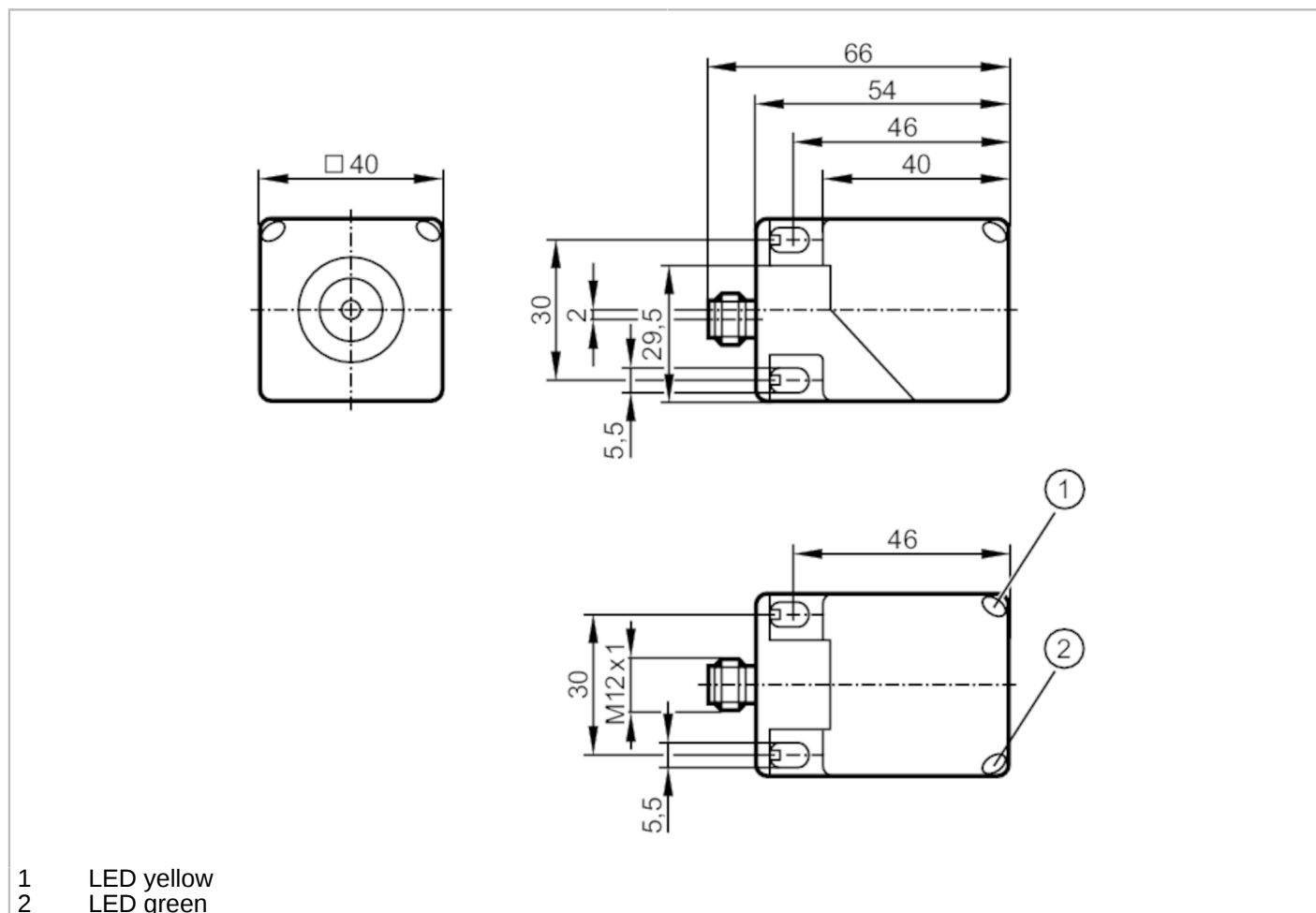


IM5132



Inductive sensor

IMC4020BCPKG/K1/US-100-DPA



| Application | |
|-----------------------------|---|
| Magnetic-field immune | yes |
| Electrical data | |
| Operating voltage [V] | 10...36 DC; (cULus - Class 2 source required) |
| Current consumption [mA] | < 20 |
| Protection class | II |
| Reverse polarity protection | yes |

IM5132



Inductive sensor

IMC4020BCPKG/K1/US-100-DPA

| Outputs | | |
|--|--|--------------------------------|
| Electrical design | PNP | |
| Output function | complementary | |
| Max. voltage drop switching output DC [V] | 2.5 | |
| Max. leakage current [mA] | 0.1 | |
| Permanent current rating of switching output DC [mA] | 200 | |
| Switching frequency DC [Hz] | 200 | |
| Short-circuit protection | yes | |
| Type of short-circuit protection | yes (non-latching) | |
| Overload protection | yes | |
| Monitoring range | | |
| Sensing range [mm] | 20 | |
| Real sensing range Sr [mm] | 20 ± 10 % | |
| Operating distance [mm] | 0...16.2 | |
| Accuracy / deviations | | |
| Correction factor | steel: 1 / stainless steel: 1 / brass: 1 / aluminum: 1 / copper: 1 | |
| Hysteresis [% of Sr] | 1...20 | |
| Switch-point drift [% of Sr] | -10...10 | |
| correction factor = 1 | yes | |
| Operating conditions | | |
| Ambient temperature [°C] | -25...70 | |
| Protection | IP 67 | |
| Tests / approvals | | |
| EMC | EN 61000-4-2 ESD | 8 kV CD / 6 kV AD |
| | EN 61000-4-3 HF radiated | 10 V/m |
| | EN 61000-4-4 Burst | 2 kV |
| | EN 61000-4-5 Surge | 0,5 kV line to line, Ri: 2 Ohm |
| | EN 61000-4-6 HF conducted | 10 V |
| | EN 55011 | class B |
| MTTF [years] | 975 | |
| UL approval | Ta | -25...70 °C |
| | Enclosure type | Type 1 |
| | voltage supply | Class 2 |
| | File number UL | E174191 |
| Mechanical data | | |
| Weight [g] | 141.5 | |
| Housing | rectangular | |
| sensing face | 5 positions selectable | |
| Mounting | flush mountable | |
| Dimensions [mm] | 40 x 40 x 54 | |
| Material | housing: PA; connector thread: stainless steel | |

IM5132



Inductive sensor

IMC4020BCPKG/K1/US-100-DPA

Displays / operating elements

| | | |
|---------|------------------|-----------------|
| Display | Switching status | 1 x LED, yellow |
| | Power | 1 x LED, green |

Remarks

| | |
|---------------|--------|
| Pack quantity | 1 pcs. |
|---------------|--------|

Electrical connection - plug

Connector: 1 x M12; Locking: locking, rotatable



Connection

