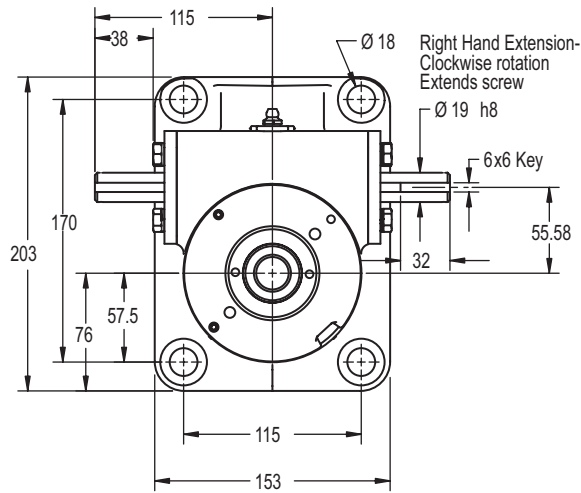


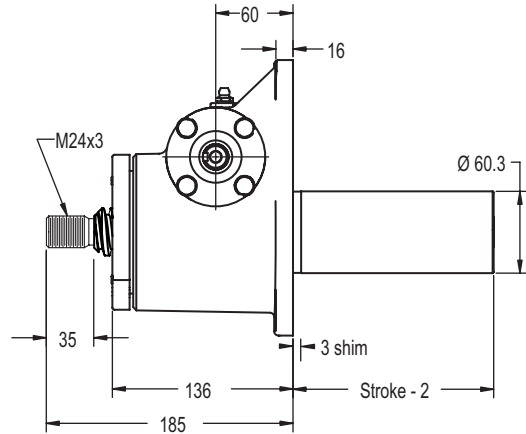
METRIC MACHINE SCREW ACTUATORS

50 kN Capacity

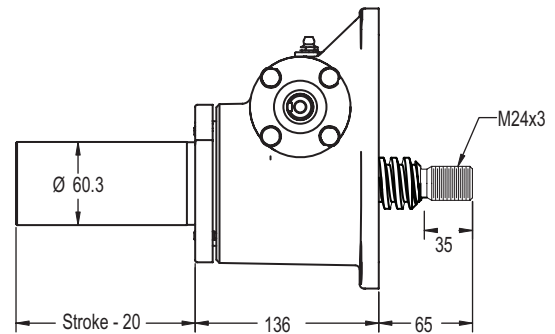


Top View: G9005

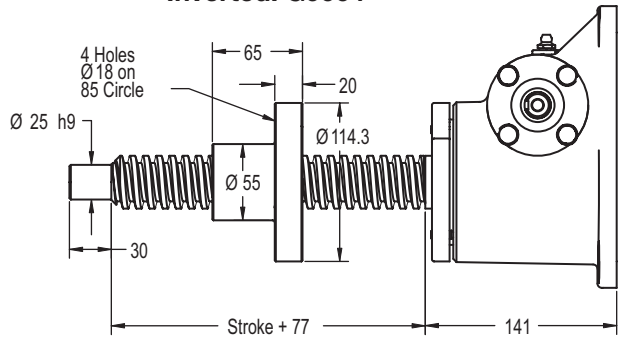
38mm O.D. 9mm Lead Lifting Screws



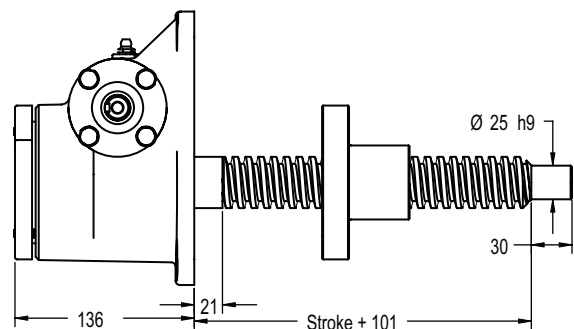
Upright: G9005



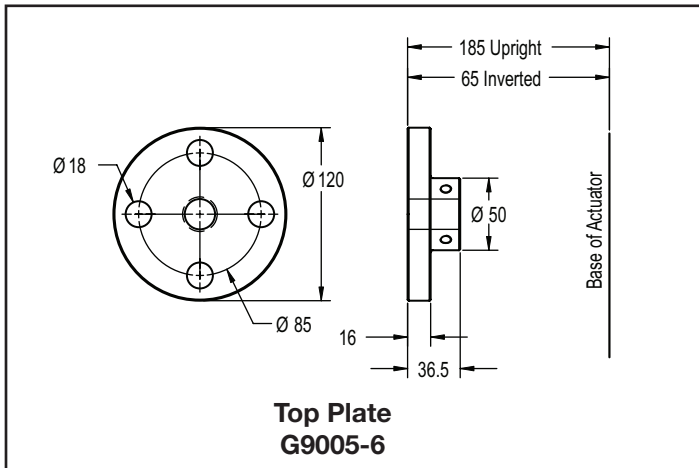
Inverted: G9004



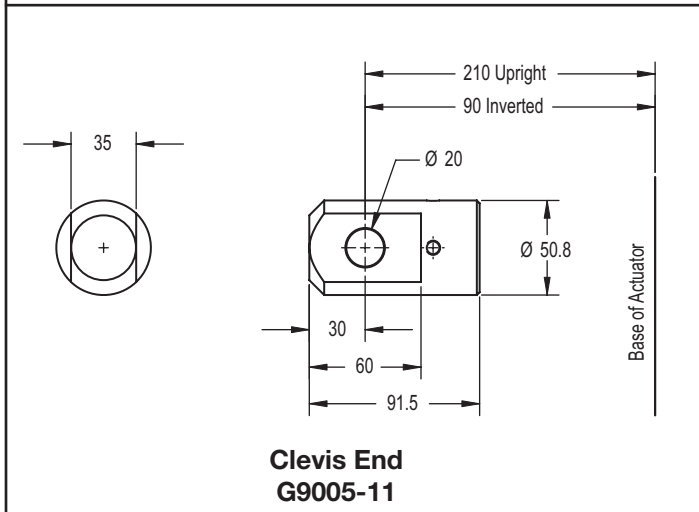
Upright Rotating: GU9006



Inverted Rotating: GD9006



**Top Plate
G9005-6**



**Clevis End
G9005-11**