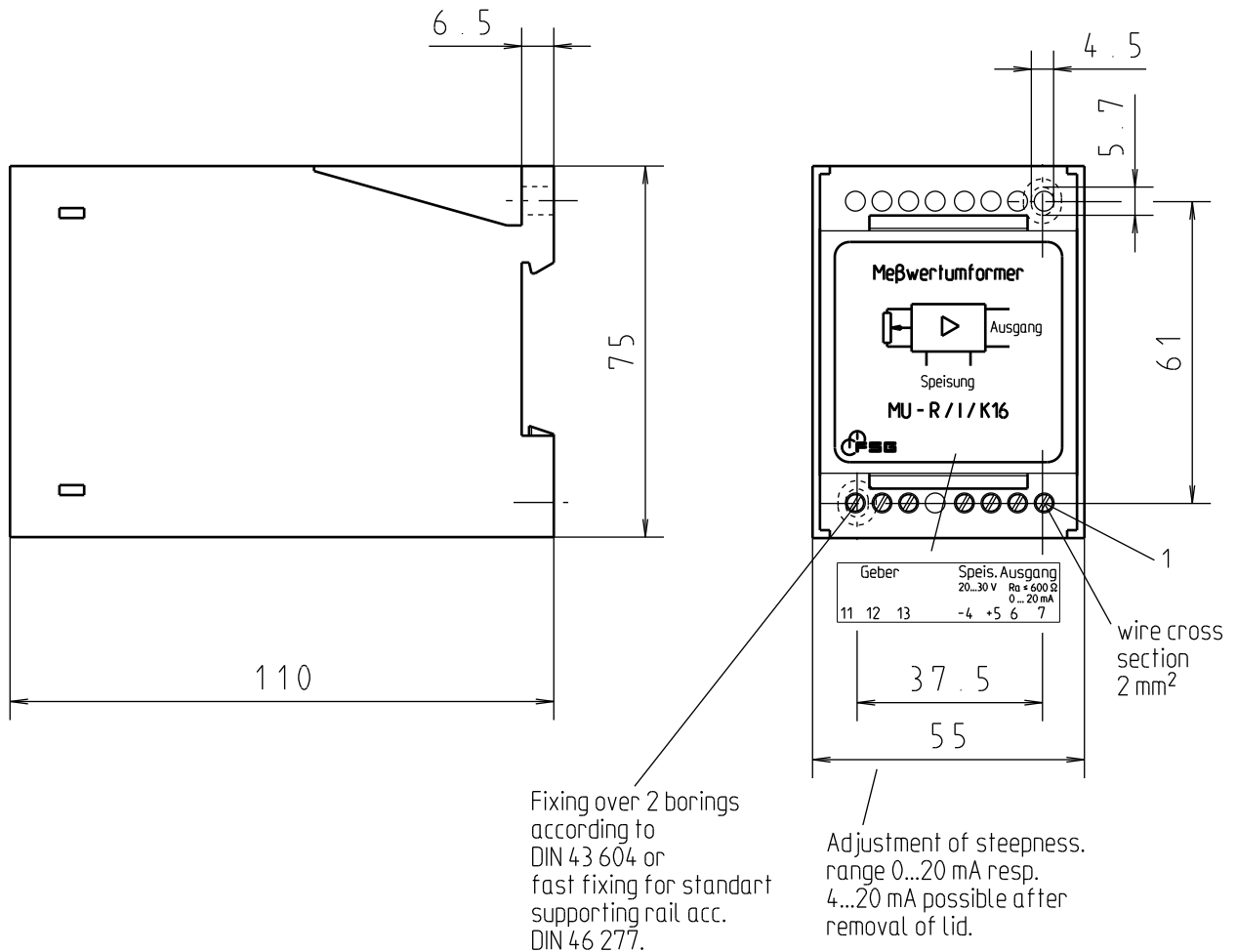


Operating instruction for transducer with power supply until in housing K16 , Typ: MU - R / I / K 16

FERNSTEUERGERÄTE
Kurt Oelsch GmbH
Jahnstr. 68 + 70
12347 Berlin (Britz)



The device has been adjust in our works.
Other voltages according to order.



terminal marking	terminal seizure
11, 12, 13 -4, +5 6, 7	measuring value input supply 24 V DC output 0...20 mA resp. 4...20 mA

putting into operation

- 1.screw on device
- 2.loosen screw (1)
- 3.connect wires
- 4.put device into operation

Ersatz für 14.04/84.001E

8024Z02-BA:02

2004	Datum	Name	Maßstab
gez.	01.03.	DIER	1:2
gepr.	01.03.2004	SCH.	
Ursprung	01.03.04	Dier/Kön	



8024Z006