

High Pressure Checkball Piston Pumps

Fixed displacement checkball pumps, with bi-directional shaft rotation, provide constant direction of output flow regardless of the direction of drive shaft rotation.

OPERATING ADVANTAGES

Inlet and outlet check valves in each piston pumping chamber give checkball design pumps unique advantages. The positive seating action provides greater volumetric efficiency, especially at higher pressures.

The check valves take the place of a valveplate in other pump designs. With no metal-to-metal rotating surface, checkball pumps are resistant to wearing and scoring, providing longer life with lower lubricity and contaminated fluids.

TYPICAL APPLICATIONS

Reduced power requirements, as low as 1.0 HP at 10 000 psi (0,75 kW at 700 bar), make these pumps ideal for use in remote locations with limited power supply.

These compact pumps can be used on portable power packs for high-pressure torque wrenches and other service tools.

PUMP SELECTION

The table shows specifications for standard pressure models and "H" option models for use at pressures higher than 8000 psi (560 bar).

Ordering a PF500 Series pump requires a complete model code specifying drive shaft, seal and outlet port options. Refer to "Typical Model Code" on page 4.

Maximum Pressure

The intermittent pressures listed in the table are the maximum pressures a pump can sustain for occasional, short periods of operation without appreciably reducing life expectancy.

PF500 SERIES

0.21 to 0.69 gpm (0,79 to 2,59 L/min) at 1800 rpm
 Rated: 10 000 psi (700 bar), Maximum: 15 000 psi (1040 bar)



Split-Flow® Provides Multiple Outlets

PF500 models with split-flow covers efficiently supply flows for multiple function circuits. Piston outputs are grouped together in the cover, with various piston flow splits available in this four-piston pump.

Multiple outlet pumps can be used for synchronized actuator movement or multiple function circuits. They are ideal for tool circuits with changing flow and pressure requirements. For Split-Flow® options, see "Typical Model Code" on page 4.

Specifications

Pump Models	Output Flow at 1500 rpm ^①		Output Flow at 1800 rpm ^①		Rated Pressure		Maximum Intermittent Pressure		Rated Speed rpm ^②	Maximum Speed rpm ^③
	U.S. gpm	L/min	U.S. gpm	L/min	psi	bar	psi	bar		
PF501-11	0.17	0,66	0.21	0,79	8000	560	8000	560	1800	3600
PF504-11	0.28	1,06	0.34	1,28	8000	560	8000	560	1800	3600
PF507-11	0.38	1,45	0.46	1,76	8000	560	8000	560	1800	3600
PF510-11	0.57	2,16	0.69	2,59	8000	560	8000	560	1800	3600
PF501H-11	0.17	0,64	0.20	0,75	10 000	700	15 000	1040	1800	3600
PF504H-11	0.27	1,02	0.32	1,22	10 000	700	15 000	1040	1800	3600
PF507H-11	0.37	1,40	0.45	1,70	10 000	700	15 000	1040	1800	3600
PF510H-11	0.56	2,12	0.67	2,52	10 000	700	15 000	1040	1800	3600

① Output flow based on typical performance at rated pressure with pressurized inlet where required, as shown in the table on page 2.
 ② Contact the sales department for applications requiring continuous duty operation at speeds higher than 1800 rpm or lower than 900 rpm. See "Typical Performance Curves" on page 3.
 ③ Higher than rated speeds may require a pressurized inlet. Refer to "Inlet Conditions" on page 2.

INSTALLATION AND OPERATING

Refer to separate Bulletin PSI.CB for general installation and operating recommendations.

Consult the sales department for applications that require operating above rated pressures, or at continuous duty above or below speeds shown in the "Typical Performance Curves" on page 3.

Mounting

S.A.E. A-A 2-bolt pattern with 0.25 inch (6,4 mm) pilot engagement.

Shaft Options

Standard keyed shaft, 0.625 inch (15,88 mm) diameter;

Optional spline shaft, 0.623/0.622 inch diameter standard S.A.E. 9 tooth, 16/32 D.P. 30° involute spline.

Outlet Port Options

Standard pressure models have S.A.E. ports. The high pressure "H" option requires the use of outlet port option "A" (Autoclave Medium Pressure, Butech M/P or equivalent fittings), or outlet port option "B" (British Standard Pipe fittings).

Inlet Conditions

Pumps may require pressurized inlet conditions at higher speeds. Failure to meet minimum inlet requirements will result in a slight flow reduction. Refer to the table.

Orientation/Drive

Shaft horizontal with inlet vertically up is preferred. Vertical shaft mounting is possible, but requires connecting a line to the vertical mount port to bleed air from the pump housing. Refer to the installation drawing on page 3.

Seal Options

Standard seals are Fluorocarbon (Viton® or Fluorel®). Options include EPR seals for use with some phosphate ester fluids, or Fluorocarbon with high pressure shaft seal.

Minimum Filtration Levels

Pump inlet: 150 μ nominal;
Pressure or return line: 25 μ nominal.

While finer filtration levels than these are desirable and will result in longer component life, restricting flow to the pump inlet should be avoided. Minimum recommended inlet conditions must be maintained.

Minimum Inlet Pressure^①

Pump Models	Operating Speed							
	1500 rpm		1800 rpm		2800 rpm		3600 rpm	
	psi	bar	psi	bar	psi	bar	psi	bar
PF501	0	0	0	0	0	0	5	0,4
PF504	0	0	0	0	0	0	5	0,4
PF507	0	0	0	0	5	0,4	10 ^②	0,7 ^②
PF510	0	0	0	0	10 ^②	0,7 ^②	15 ^②	1,0 ^②

① Values shown are based on fluid viscosity of 100 SUS (20 cSt).

② Inlet pressures higher than 10 psig (0,7 bar) require a high pressure shaft seal. Refer to "Typical Model Code" on page 4 to specify seals.

Hydraulic Fluid Viscosity Guidelines^①

Operating							
Minimum		Maximum		Start-up		Optimum	
SUS	cSt	SUS	cSt	SUS	cSt	SUS	cSt
52	8	1911	413	3706	800	98 to 324	20 to 70

① If fluid conditions fall outside of the range shown, contact the sales department.

Weight (Mass)

11.9 lb (5,4 kg)

Split-Flow® Options

Refer to "Typical Model Code" on page 4 for optional piston flow splits for this four-piston pump. Contact the sales department for availability.

Reduced Output Option

Pump output can be reduced by one-half by deactivating two pistons. This can be an advantage in applications where available input power is limited. Refer to "Typical Model Code" on page 4.

FLUID RECOMMENDATIONS

Mineral Oil

A high-grade premium petroleum-based fluid should be used to assure long component and system life. The fluid should have a combination of anti-wear, demulsibility, rust protection, oxidation-resistant and foam-resistant properties.

Special Fluids

Some pump models may require reduced operating pressures when using low-lubricity fluids.

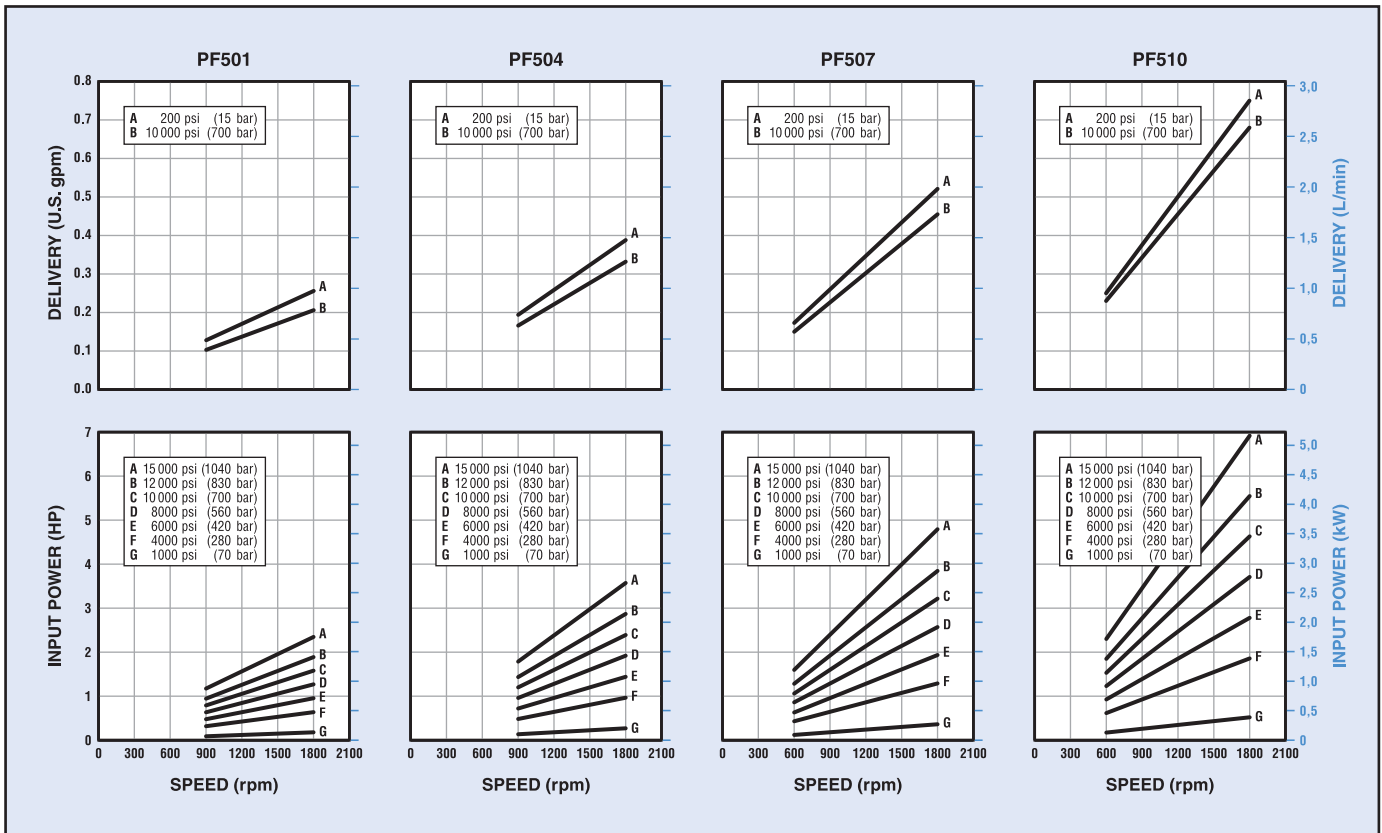
Because of the wide range of fluid characteristics, contact the sales department for a review of any application using non-petroleum based fluids.

Viscosity Specifications

Using fluid with the correct viscosity range is critical to achieving long component life.

Fluid conditions outside the "Optimum" range shown in the table may result in reduced pump output, requiring pressurized inlet conditions. For more information, contact the sales department.

Typical Performance Curves



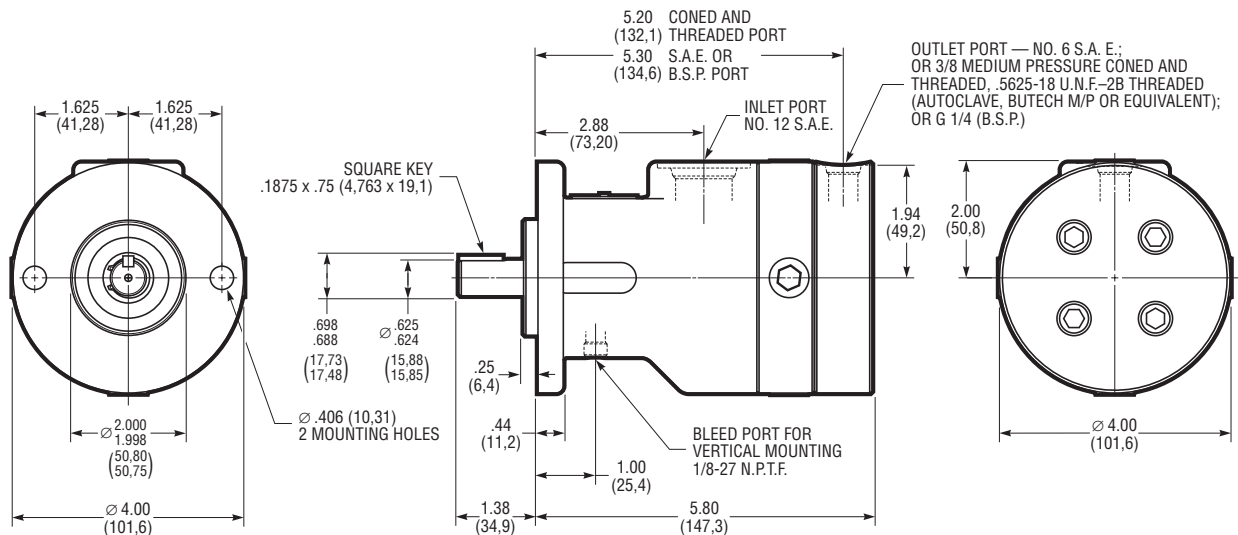
Typical performance curves are based on 100 SUS (20 cSt) mineral oil with pressurized inlet where required. Refer to the "Minimum Inlet Pressure" table on page 2. Contact the Dynex sales department for applications requiring continuous duty operation at speeds higher or lower than shown.

INSTALLATION

All dimensions are shown in inches (millimeters in parentheses) and are nominal. The drawing shows dimensions common to all PF500 models. See page 2 for spline shaft data.

Note that the location of the outlet port varies as shown, dependent on the type of port.

Refer to "Typical Model Code" on page 4 to specify the drive shaft, outlet port and seals.



TYPICAL MODEL CODE

PF5

01

H – S XV

A

–

22 – 1

1

Pump Type	
PF5	Fixed Displacement Checkball Pump

Output Flow (At 1800 rpm, at rated pressure) ^①	
01	Standard: 0.21 gpm (0,79 L/min) "H" Option: 0.20 gpm (0,75 L/min)
04	Standard: 0.34 gpm (1,28 L/min) "H" Option: 0.32 gpm (1,22 L/min)
07	Standard: 0.46 gpm (1,76 L/min) "H" Option: 0.45 gpm (1,70 L/min)
10	Standard: 0.69 gpm (2,59 L/min) "H" Option: 0.67 gpm (2,52 L/min)

^① Output flows based on typical performance at rated pressure. Refer to performance curves for flows at lower pressures.

Operating Pressure	
No Code	Standard Pressure
H	High Pressure ^①

^① Requires "A" or "B" port option.

Drive Shaft	
No Code	Keyed, 0.625 inch (15,88 mm) diameter
S	S.A.E. Spline, 0.625 inch (15,88 mm) ^①

^① Contact the sales department for availability.

Ports	
No Code	Inlet No. 12 S.A.E.; Outlet No. 6 S.A.E. ^①
A	Inlet No. 12 S.A.E.; Outlet 3/8 Medium Pressure Coned and Threaded, 0.5625-18 U.N.F.-2B Threaded ^②
B	Inlet No. 12 S.A.E.; Outlet G 1/4 (B.S.P.) ^③

^① Not recommended for operation above 8000 psi (560 bar). Contact the fitting manufacturer for the pressure rating of the fitting.
^② High pressure port uses Autoclave Medium Pressure, Butech M/P or equivalent fitting.
^③ Outlet port uses British Standard Pipe fitting. Not recommended for operation above 10 000 psi (700 bar).

Design Number

Modification Number

Split-Flow [®] Options (4 Piston Pump) ^①	
No Code	Full flow from single outlet
Split-Flow [®] Cover Models:	
22	Two-pistons output + Two-pistons output
31	Three-pistons output + One-piston output ^②
4X	Four ports, each with one-piston output
2	Two pistons output + Two inactive pistons

^① For outlet port sizes, locations and pump cover dimensions, contact the sales department.
^② Port for outlet flow designated by first digit is located at the 12 o'clock position (for code "31", three-piston output flow exits the 12 o'clock port).

Seals	
No Code	Fluorocarbon (Viton [®] or Fluorel [®]) Seals with Buna-N (Nitrile) Shaft Seal
XE	All EPR with High Pressure Shaft Seal ^①
XV	All Fluorocarbon (Viton [®] or Fluorel [®]) with High Pressure Shaft Seal

^① Not available with High Pressure "H" option. Contact the sales department for recommended operating conditions.

Download Dynex Product Specifications!

www.dynexhydraulics.com

Go!

Specifications shown were in effect when printed. Since errors or omissions are possible, contact your sales representative or the sales department for the most current specifications before ordering. Dynex reserves the right to discontinue products or change designs at any time without incurring any obligation.

USA Headquarters

770 Capitol Drive
Pewaukee, WI 53072
Tel: 262-691-0300
FAX: 262-691-0312
E-mail: sales@dynexhydraulics.com

Power Units & Systems

54 Nickerson Road
Ashland, MA 01721
Tel: 508-881-5110
FAX: 508-881-6849
E-mail: ashland@dynexhydraulics.com

European Sales

Unit C5 Steel Close, Little End Road,
Eaton Socon, Huntingdon,
Cambs. PE19 8TT United Kingdom
Tel:+44 (0) 1480 213980 FAX:+44 (0) 1480 405662
E-mail: sales@dynexhydraulics.co.uk