

Ex d, Weatherproof



Features

- Zone 1 and Zone 2 use.
- Exd, IIB T3 and T4.
- ATEX approved, Ex II 2G.
- BASEEFA Certified.
- IECEx certified Gb.
- CUTR Certified.
- Inmetro Certified.
- IP66 and IP67.
- Certified temperature: -55°C to $+70^{\circ}\text{C}$.
- 55W and 70W tungsten halogen bulb*.
- Various rotating speeds available.
- Corrosion resistant GRP.
- Optional stainless steel backstrap.
- Various lens colours.
- Optional lens guard.

* Voltage dependent.

Introduction

These certified rotating beacons have been designed for use in potentially explosive atmospheres and harsh environmental conditions. The enclosures are suitable for use offshore or onshore, where lightweight combined with corrosion resistance is required.

The housing is manufactured completely from a UV stable, glass reinforced polyester. Stainless steel screws and mounting bracket are available ensuring a totally corrosion free product.

Units can be painted to customer specification and supplied with identification labels.



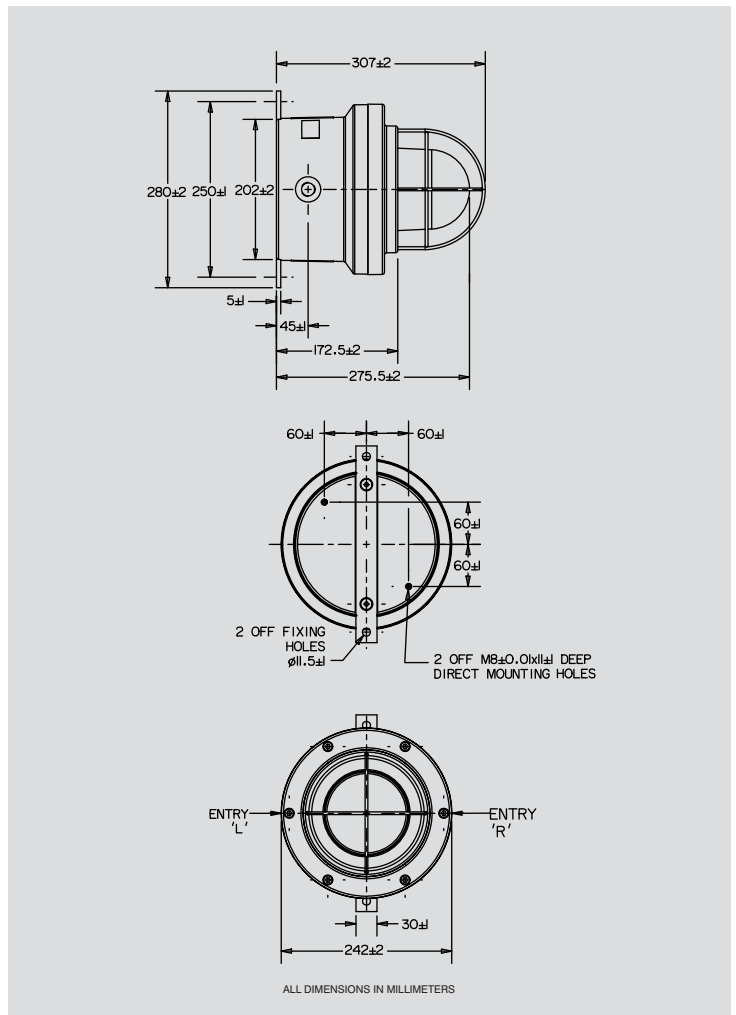
Certification and Specification

ATEX Ex d:	Cert. no. BAS99ATEX2196. Certified to: EN60079-0, EN60079-1. Ex II 2G, Ex d IIB T3/T4 Gb.
IECEX Ex d:	Cert. no. IECEX BAS 10.0094. Certified to: IEC60079-0, IEC60079-1. Ex d IIB T3/T4 Gb.
CUTR Ex d:	1Ex d IIB T3/T4 Gb.
Inmetro Ex d:	Ex d IIB T3/T4/T5/T6 Gb.
Material:	Body: Glass reinforced polyester (GRP). Lens: Glass. Cover screws and backstrap: Stainless steel 316.
Finish:	Natural black or painted to customer specification.
Bulb Life:	We do not recommend the continuous use of the TH12 for over 3 hours as this could adversely affect its life.
Bulb Type:	70 Watt H1 tungsten halogen bulb (24V). 55 Watt H1 tungsten halogen bulb (12V).
Certified Temp:	-55°C to +70°C (T3), -55°C to +55°C (T4).
Weight:	7.6kg.
Ingress Protection:	IP66 & IP67.
Entries:	2 x M20 ISO.
Terminals:	6 x 6.0mm ² .
Labels:	Tag/Duty label option.

Wattage	55W	70W	70W	70W
Voltage	12 d.c.	24 d.c.	110 a.c.	240 a.c.
Peak Current	4.85A	2.92A	0.64A	0.34A

Rotational Speed (r.p.m.)	60	120	180
Effective Intensity (Cd)	3354	1957	895
Peak Intensity (Cd)	11164	11164	11164

Note: The above figures (Cd) are for a 70W lamp with clear lens.
Rotational speed may vary by ±20% of the stated r.p.m.



Multiplying Factor for Coloured Lenses: UL/UW/UM versions

Red	Blue	Amber	Green	Yellow
0.15	0.12	0.51	0.49	0.86

The photometric data has been verified by BSI. A report is available if required.

Ordering Requirements

The following code is designed to help in selection of the correct unit. Build up the reference number by inserting the code for each component into the appropriate box.

Model	Certification	Speed	Voltage	Lens Colour	Lens Guard	Fixings	Options	Finish																																																										
TH12	<input type="text"/>	<input type="text"/>	<input type="text"/>	<input type="text"/>	<input type="text"/>	<input type="text"/>	<input type="text"/>	<input type="text"/>																																																										
	<table border="1"> <thead> <tr> <th>Certification</th> <th>Code</th> </tr> </thead> <tbody> <tr> <td>ATEX</td> <td>B</td> </tr> <tr> <td>IECEX</td> <td>J</td> </tr> <tr> <td>CUTR</td> <td>G</td> </tr> <tr> <td>Inmetro</td> <td>DM</td> </tr> </tbody> </table>	Certification	Code	ATEX	B	IECEX	J	CUTR	G	Inmetro	DM	<table border="1"> <thead> <tr> <th>Speed</th> <th>Code</th> </tr> </thead> <tbody> <tr> <td>60 / min</td> <td>A</td> </tr> <tr> <td>120 / min</td> <td>B</td> </tr> <tr> <td>180 / min</td> <td>C*</td> </tr> </tbody> </table> <p>* Not available 110V a.c.</p>	Speed	Code	60 / min	A	120 / min	B	180 / min	C*	<table border="1"> <thead> <tr> <th>Voltage</th> <th>Code</th> </tr> </thead> <tbody> <tr> <td>12V d.c.</td> <td>012*</td> </tr> <tr> <td>24V d.c.</td> <td>024†</td> </tr> <tr> <td>110V a.c.</td> <td>110†</td> </tr> <tr> <td>240V a.c.</td> <td>240†</td> </tr> </tbody> </table> <p>* 55W only available 12V d.c. † 70W only available 24V d.c., 110V a.c. & 240V a.c.</p>	Voltage	Code	12V d.c.	012*	24V d.c.	024†	110V a.c.	110†	240V a.c.	240†	<table border="1"> <thead> <tr> <th>Guard</th> <th>Code</th> </tr> </thead> <tbody> <tr> <td>None</td> <td>N</td> </tr> <tr> <td>Yes</td> <td>Y</td> </tr> </tbody> </table>	Guard	Code	None	N	Yes	Y	<table border="1"> <thead> <tr> <th>Option</th> <th>Code</th> </tr> </thead> <tbody> <tr> <td>Tag Label</td> <td>T*</td> </tr> <tr> <td>Duty Label</td> <td>D*</td> </tr> <tr> <td>Earth Continuity</td> <td>E</td> </tr> <tr> <td>None</td> <td>N</td> </tr> </tbody> </table> <p>* Please specify.</p>	Option	Code	Tag Label	T*	Duty Label	D*	Earth Continuity	E	None	N	<table border="1"> <thead> <tr> <th>Finish</th> <th>Code</th> </tr> </thead> <tbody> <tr> <td>Natural Black</td> <td>N</td> </tr> <tr> <td>Red</td> <td>R</td> </tr> <tr> <td>Blue</td> <td>B</td> </tr> <tr> <td>Yellow</td> <td>Y</td> </tr> <tr> <td>Grey</td> <td>G</td> </tr> <tr> <td>White</td> <td>W</td> </tr> <tr> <td>Special</td> <td>S*</td> </tr> </tbody> </table> <p>* Please specify.</p>	Finish	Code	Natural Black	N	Red	R	Blue	B	Yellow	Y	Grey	G	White	W	Special	S*
Certification	Code																																																																	
ATEX	B																																																																	
IECEX	J																																																																	
CUTR	G																																																																	
Inmetro	DM																																																																	
Speed	Code																																																																	
60 / min	A																																																																	
120 / min	B																																																																	
180 / min	C*																																																																	
Voltage	Code																																																																	
12V d.c.	012*																																																																	
24V d.c.	024†																																																																	
110V a.c.	110†																																																																	
240V a.c.	240†																																																																	
Guard	Code																																																																	
None	N																																																																	
Yes	Y																																																																	
Option	Code																																																																	
Tag Label	T*																																																																	
Duty Label	D*																																																																	
Earth Continuity	E																																																																	
None	N																																																																	
Finish	Code																																																																	
Natural Black	N																																																																	
Red	R																																																																	
Blue	B																																																																	
Yellow	Y																																																																	
Grey	G																																																																	
White	W																																																																	
Special	S*																																																																	
				<table border="1"> <thead> <tr> <th>Colour</th> <th>Code</th> </tr> </thead> <tbody> <tr> <td>Red</td> <td>R</td> </tr> <tr> <td>Blue</td> <td>B</td> </tr> <tr> <td>Green</td> <td>G</td> </tr> <tr> <td>Amber</td> <td>A</td> </tr> <tr> <td>Yellow</td> <td>Y</td> </tr> <tr> <td>Clear</td> <td>C</td> </tr> </tbody> </table>	Colour	Code	Red	R	Blue	B	Green	G	Amber	A	Yellow	Y	Clear	C	<table border="1"> <thead> <tr> <th>Fixings</th> <th>Code</th> </tr> </thead> <tbody> <tr> <td>Direct mount without backstrap</td> <td>D</td> </tr> <tr> <td>Direct mount with backstrap</td> <td>B</td> </tr> </tbody> </table>	Fixings	Code	Direct mount without backstrap	D	Direct mount with backstrap	B																																									
Colour	Code																																																																	
Red	R																																																																	
Blue	B																																																																	
Green	G																																																																	
Amber	A																																																																	
Yellow	Y																																																																	
Clear	C																																																																	
Fixings	Code																																																																	
Direct mount without backstrap	D																																																																	
Direct mount with backstrap	B																																																																	