

The point charging bar R23ATR is used wherever target-specific electrostatic charges need to be applied even at high temperatures. For instance in edge trim adhesion in flat film production. Using the point charging bars R23ATR, both outer edge zones of the film are fixed directly downstream from the flat film extrusion die to prevent neck-in.

The point charging bar R23ATR can be operated with one, two or three emission tips. The tips are interchangeable. The geometry of the tips is adjustable depending on application. This means that the point charging bar R23ATR may be used horizontally or vertically even in confined spaces.

Technical Information



F01029y

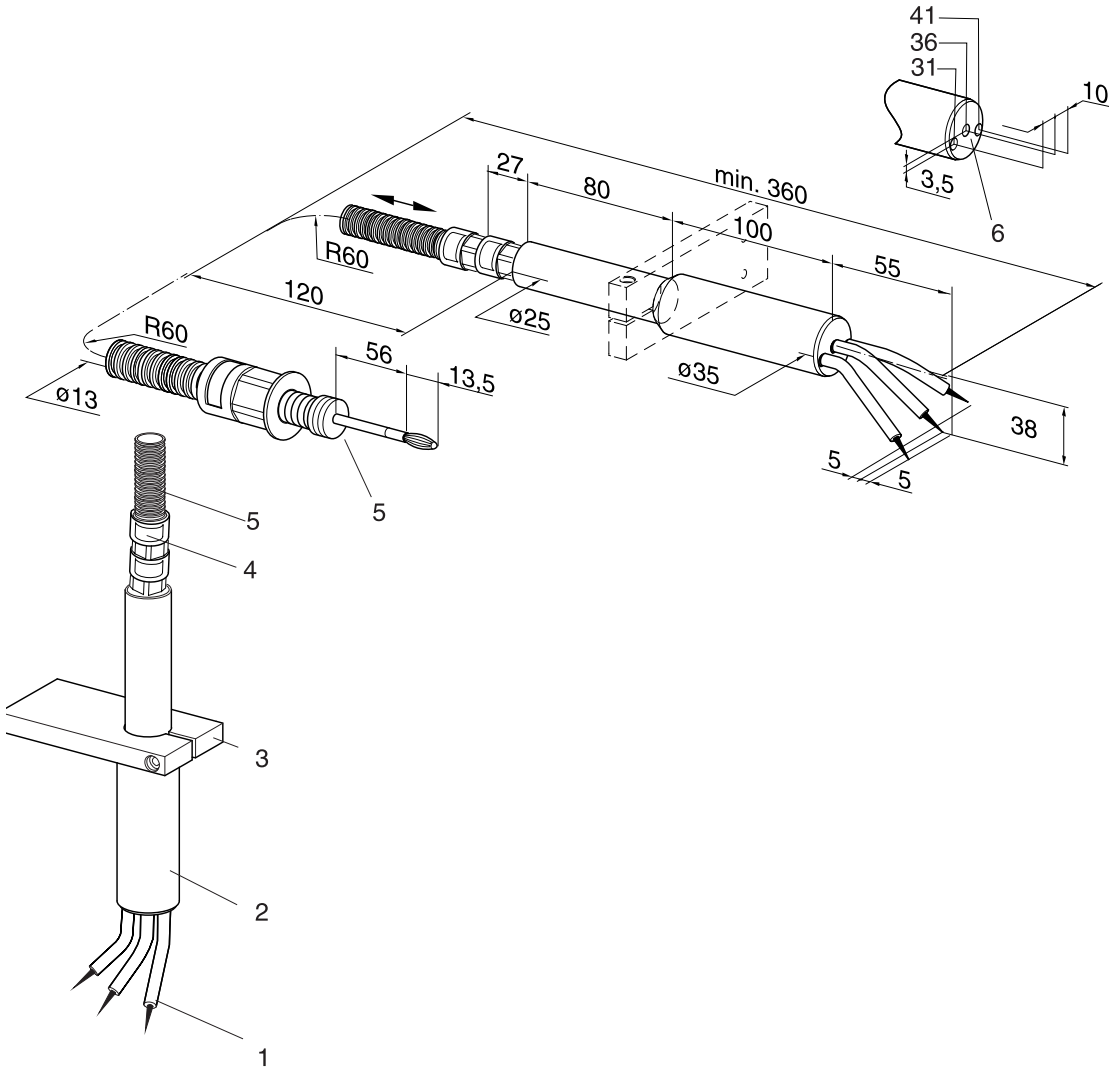
R23ATR Point Charging Bar

TI-en-3021-1402



Overview and dimensions

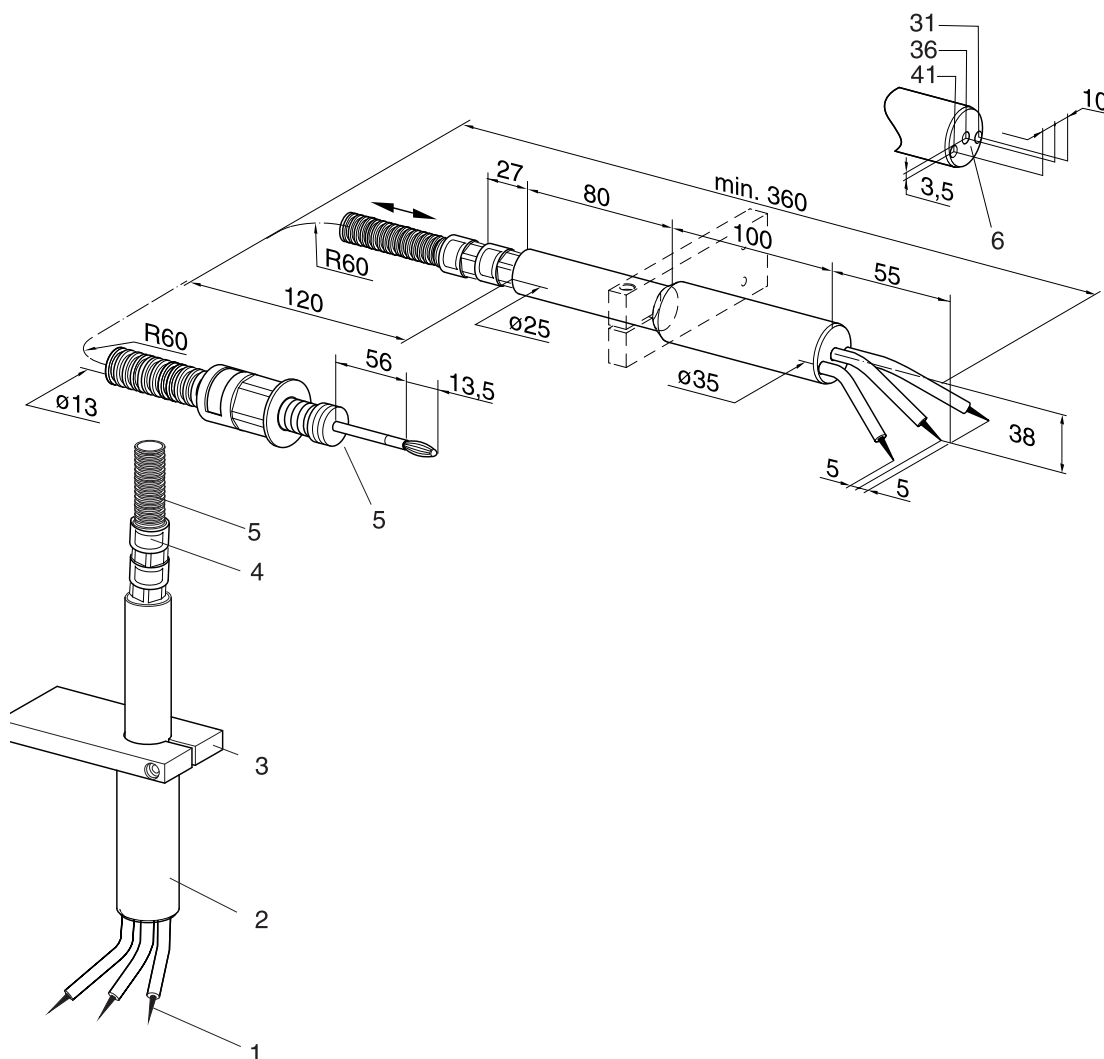
R23ATR/LAAA Point Charging Bar Design left with emission tip Type A



- 1 Emission tip
- 2 Base element PU
- 3 GRP holder for installation (provided by the customer)
- 4 Cable gland
- 5 Detachable high voltage cable for connecting to the high voltage generator (accessories: not supplied)
- 6 Hole diagram and mounting depth of the emission tips

Z01139y

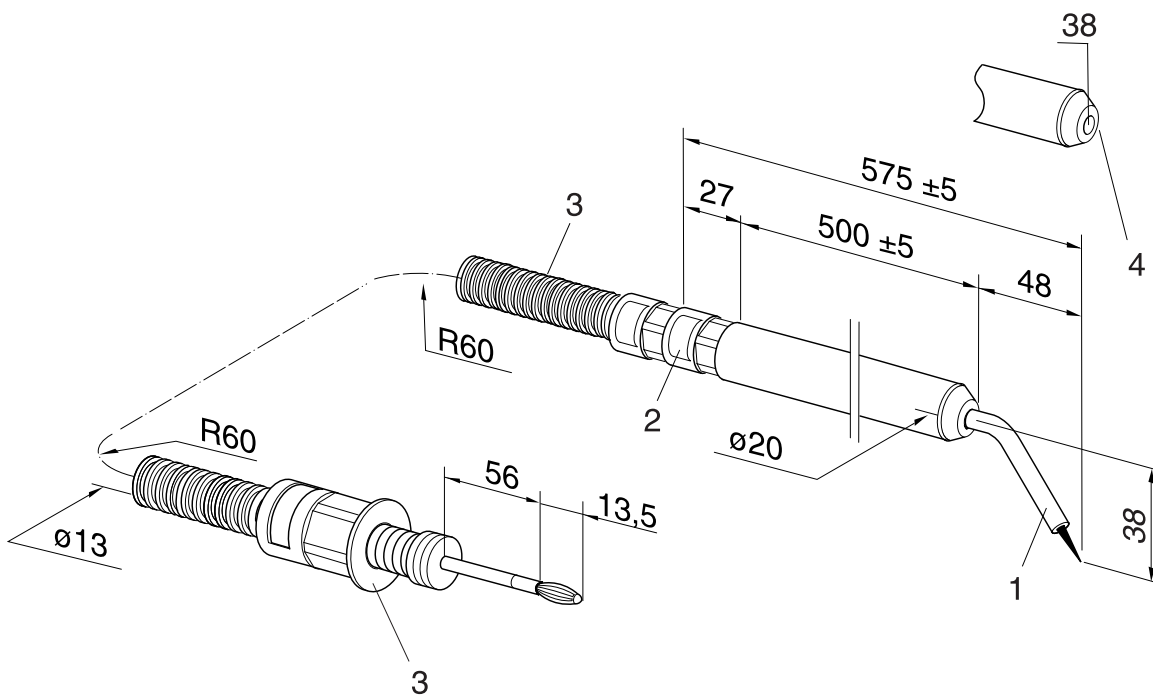
R23ATR/RAAA Point Charging Bar
Design right with emission Type A



- 1 Emission tip
- 2 Base element PU
- 3 GRP holder for installation (provided by the customer)
- 4 Cable gland
- 5 Detachable high voltage cable for connecting to the high voltage generator (accessories: not supplied)
- 6 Hole diagram and mounting depth of the emission tips

Z01138y

R23ATR11/_A Point Charging Bar with emission tip Type A

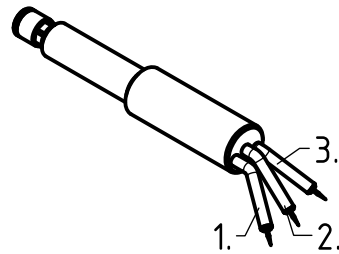
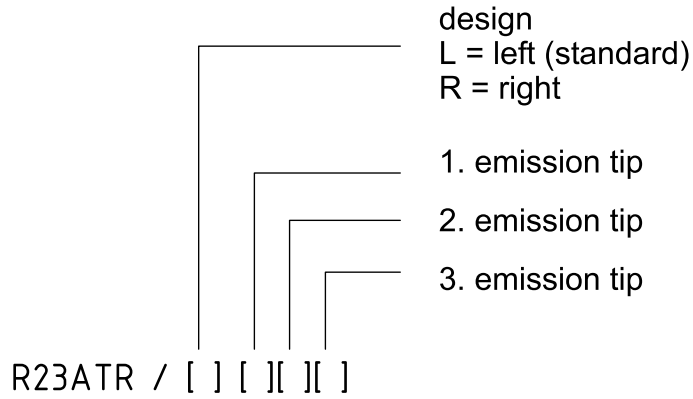


- 1 Emission tip
- 2 Cable gland
- 3 Detachable high voltage cable for connecting to the high voltage generator
(accessories: not supplied)
- 4 Hole diagram and mounting depth of the emission tips

Z01140y

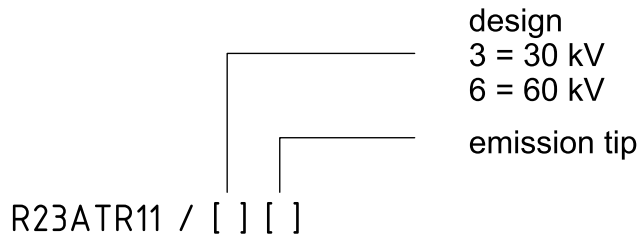
Design options of the Point Charging Bars

R23ATR



design left
R23ATR/LAAA

R23ATR11



Overview of the emission tips: please see table page 7

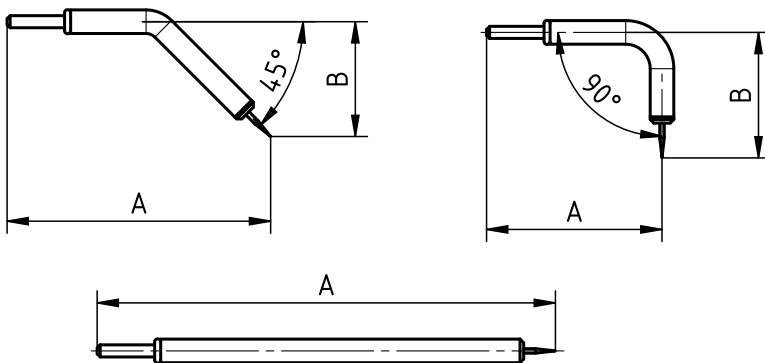
Z-09308X4e_1y

Z-09308X4e_2.3y

Z-09308X4e_4y

Technical specifications

Bar element	PU, UL 94 V-0
Emission tips	R23ATR: max. 3 emission tips R23ATR11: 1 emission tip exchangeable, adjustable, with insulating coating, current limited via separate resistance
Ambient operating temperature	0...+120°C (+32...+248°F) in emission tip area 0...+70°C (+32...+158°F) on bar element
Dimensions	see figures page 2 - 4
Operating voltage	R23ATR: 30 kV DC max. R23ATR11; 30 resp. 60 kV DC max.
High voltage power supply	via Eltex high voltage generators series KNH34/35 resp. KNH64/65
High voltage cable	prefabricated, exchangeable high voltage cable in plastic tubing with connector for charging bar and high voltage generator, high voltage cable must be ordered separately, specify cable length and power supply



Consider mounting depths according to the figures on page 2 - 4

Overview emission tips

Emission tips				
Type	Angle	A (mm)	B (mm)	Art.-No.
A	45°	87	38	100294
B	0°	151.5	0	100293
C	45°	77	38	100292
D	45°	97	38	100291
E	45°	129	80	103418
F	45°	187	38	100301
G	45°	241	38	100296
H	45°	251	38	100295
I	45°	356	38	103500
J	90°	48	41.5	100297
K	90°	58	41.5	106320
L	90°	58	60.5	107854
M	90°	64	41.5	106615
N	90°	68	41.5	106321
P	90°	74	41.5	106616
R	90°	84	41.5	106617
S	90°	195	138.5	100298
T	90°	205	43	104038
U	90°	205	138.5	100299
V	90°	215	138.5	100300
X				no tip

Eltex offices and agencies

The addresses of all
Eltex agencies can be
found on our website at
www.eltex.com



z01007y



Eltex-Elektrostatik-Gesellschaft mbH
Blauenstraße 67-69, D-79576 Weil am Rhein
Phone +49 (0) 76 21/ 79 05 - 230
Fax +49 (0) 76 21/ 79 05 - 330
eMail static-control@eltex.com
Internet www.eltex.com